

Accuride®

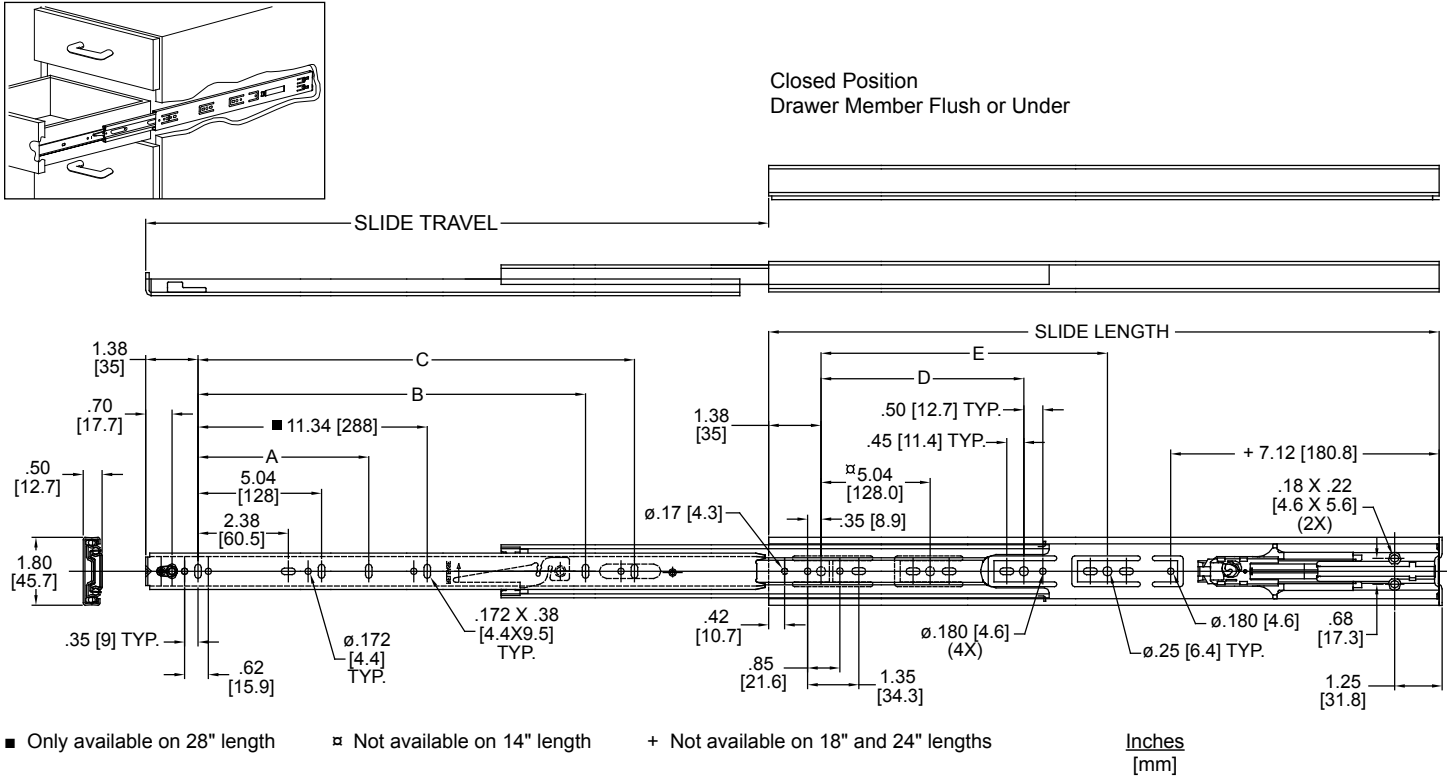
MODEL 3832EC DRAWER ADJUST

Easy-Close Feature
Vertical Drawer Adjustment

APPLICATIONS: For use in wood pedestals, dresser and desk drawers, casework, residential and kitchen cabinetry. *Not intended for lateral file[®] drawer applications.* Use for side mount only. **This product is covered by U.S. (5,980,007) and various foreign patents issued and/or pending.**

3832EC QUICK REFERENCE

Side space: 1/2" + 1/32" x 2
Length: 14"–28"
Overall side dimensions: 1.80" x 1/2"
Minimum drawer height: 1-7/8"
Load Rating: 100 lbs.*



Finish: Clear electroplate(C)
Black electroplate (CB)

Lengths: 14"–28" [350 mm–700 mm]

Load Rating: Up to 100 lbs. [45.5 kg.] per pair*

Travel: Full extension

Disconnect: Handed lever disconnect

Height: 1.80" [45.7 mm]

Side Space: .50" +0.031/-0.0 [12.7 mm +0.8/0.0]

Mounting: Side, optional face frame brackets

Hardware: Flat head 6 mm Euro System screw
or #8 pan head screw

Ball Bearings: Steel

Features: Easy-Close action brings drawer to a gentle close. Drawer member has vertical adjustment cam.

NOTE: Drawer width should not exceed slide length.

NOTE: For optimal performance, construct drawer 1-1/16" [27.0 mm] less than cabinet opening.

NOTE: Slides may not function properly if side space is less than .50" [12.7 mm].

Part Number	Slide Length	Travel	A	B	C	D	E
3832-C14EC	13.78 [350]	12.19 [307]		8.11 [206]			
3832-C16EC	15.75 [400]	16.00 [406]		10.12 [257]			
3832-C18EC	17.72 [450]	18.00 [457]		12.01 [305]		8.82 [224]	
3832-C20EC	19.68 [500]	20.00 [508]		13.86 [320]		8.82 [224]	
3832-C22EC	21.65 [550]	22.00 [559]		16.02 [407]	13.86 [320]	8.82 [224]	
3832-C24EC	23.62 [600]	24.00 [610]	8.82 [224]		16.38 [416]	8.82 [224]	13.86 [352]
3832-C26EC	25.59 [650]	26.00 [660]	8.82 [224]		16.38 [416]	8.82 [224]	13.86 [352]
3832-C28EC	27.56 [700]	28.00 [711]	8.82 [224]		21.42 [544]	8.82 [224]	13.86 [352]

* Load rating based on 18" slides mounted in a 16" wide drawer cycled 50,000 times.
◊ A lateral file drawer is wider than it is deep.

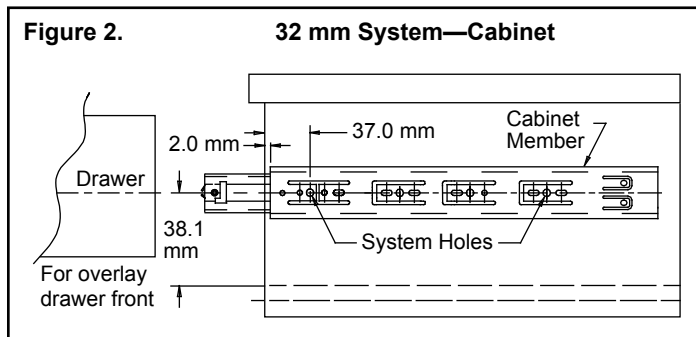
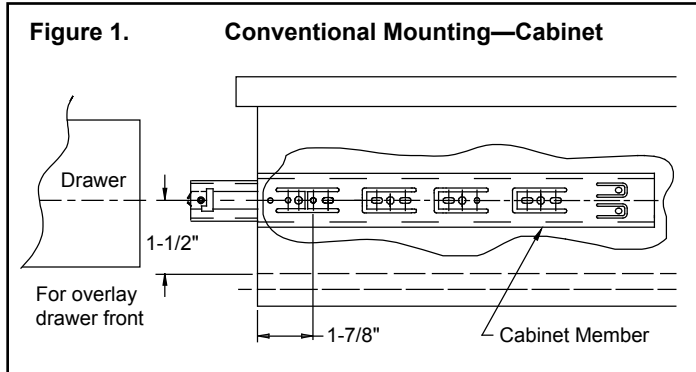
Installation Instructions

Drawer Box Preparation

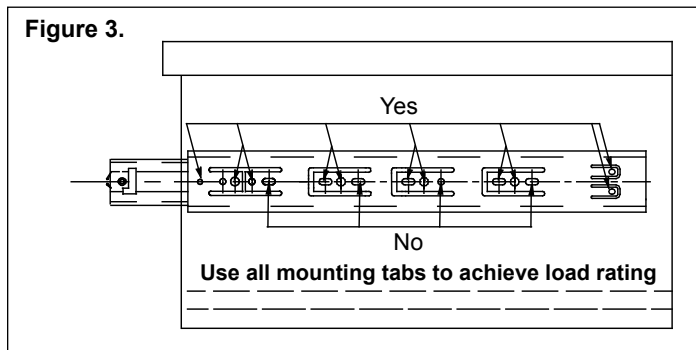
1. Drawer box width should not exceed slide length.
2. Slides will not function properly if side space is less than .50" [12.7 mm]. For optimum performance, construct drawer 1-1/16" [27.0 mm] smaller than cabinet opening.

Cabinet Member Installation – Side Mount

1. **Overlay drawer front:**
 - Conventional mounting, see Figure 1.
 - 32 mm system mounting, see Figure 2.
2. **Inset drawer front:** slide setback is the thickness of the drawer front plus 1/8" [3.2 mm].



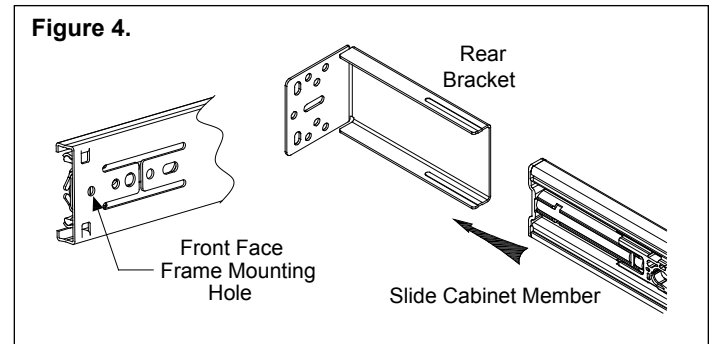
3. Use only the 32 mm system holes or the wood screw holes located at the tip of the breathing tabs. Do not use any other holes on the cabinet member for mounting (Figure 3).



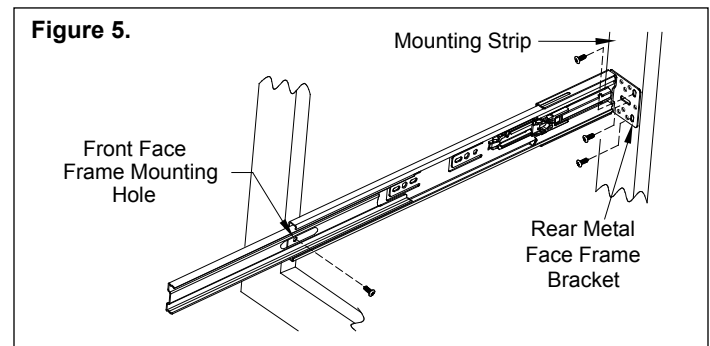
Drawer Member Installation – Side Mount

Face Frame Installation – Cabinet Member

1. Separate slide members by actuating the disconnect lever, located on the drawer (small) member.
2. Push rear bracket onto the cabinet member (large) member (Figure 4).



3. Secure a 3/4" x 2" vertical mounting strip to the rear wall or cabinet back for each slide (Figure 5).
4. Mount slide to cabinet by inserting a screw through the front face frame mounting hole located on the cabinet member (Figure 4).



5. Extend the rear bracket until it contacts the rear vertical mounting strip. Check that both cabinet members are vertically and horizontally parallel. Mount the rear bracket using the two vertical slots. Make any necessary adjustment (Figure 5).

Drawer Member Installation

1. See Figure 6 for drawer member setback.
2. Install the drawer member with a screw through the cam adjuster and a screw through a hole or slot at the rear (Figure 7).

Figure 6. Conventional and 32 mm Mounting—Drawer

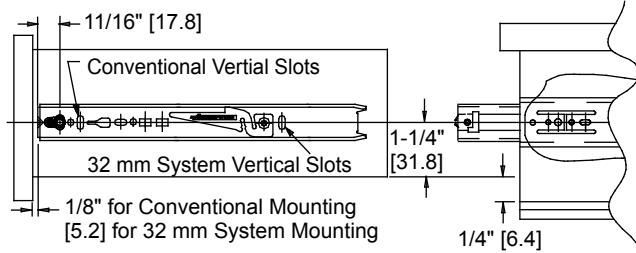
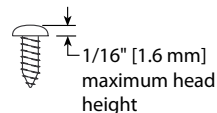
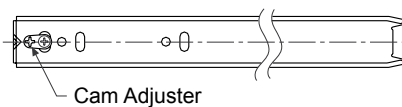


Figure 7

NOTE: Cam must install on same centerline as drawer member.



Accuride part number 2410-3218-CE

NOTE: The cam is designed for use with the standard Accuride truss head screw. If using other screw, ensure screw head height does not exceed 1/16" [1.6mm] since it may cause interference.

Drawer Insertion and Adjustment

1. **Make sure the ball bearing retainers in the cabinet member are fully forward.** Insert the drawer member into the cabinet member. Push the drawer in until completely closed; the Easy-Close mechanism will click and engage. Cycle the drawer two or three times.
2. To adjust the drawer front position, open the drawer and rotate the cam with a Phillips or Pozi screwdriver to adjust the vertical position of the drawer. Total vertical adjustment is 1/8" [3.2 mm]; +/- 1/16" [1.6 mm] from center up and down.
3. Install additional set screws to secure. Install drawer pulls or knobs.

Optional Kits

For face frame installation optional rear brackets are available.

To order the kit, specify part number 4180-0745-XE. Each kit contains 2 rear brackets and one installation sheet in a polybag. Order one kit per pair of slides. Kits are packaged 50 per box.

To order in bulk, specify part number 4010-0668-CE. Order 2 rear brackets per pair of slides. Brackets are packaged 100 each per box.

Slide Ordering Instructions

Complete your slide order for Accuride models 3832EC by specifying the following:

	50 Pair	C	3832	-C18	EC	D
Total Required Slides	_____	_____	_____	_____	_____	_____
Slide Finish	_____	_____	_____	_____	_____	_____
Slide Model	_____	_____	_____	_____	_____	_____
Slide Length	_____	_____	_____	_____	_____	_____
Easy-Close Feature	_____	_____	_____	_____	_____	_____
Polybag Packaging	_____	_____	_____	_____	_____	_____

Packaging Options

Distributor (D) Pack: All lengths are packaged 10 pair per box. Polybag includes one pair of slides with mounting screws.

Bulk (P) Pack: All lengths are packaged 10 pair per box. Slides and screws are ordered and packaged separately.

Available in clear (C) and black (CB) finishes.

Specifications

Slide members and ball retainers: Cold rolled steel

Ball bearings: Carburized steel/acetal polymer

RoHS compliant

NOTE: Specifications, materials, prices, terms, and delivery are subject to change without notice.

Accuride

ACCURIDE INTERNATIONAL INC.

12311 Shoemaker Avenue
Santa Fe Springs, CA 90670

TEL (562) 903-0200

FAX (562) 903-0208

www.accuride.com

Manufacturing, Engineering, and Sales

United States • Germany • Japan • Mexico • United Kingdom • China

Copyright © 2014 Accuride International Inc. 3700-9508(1183)-MK114-R4-0314