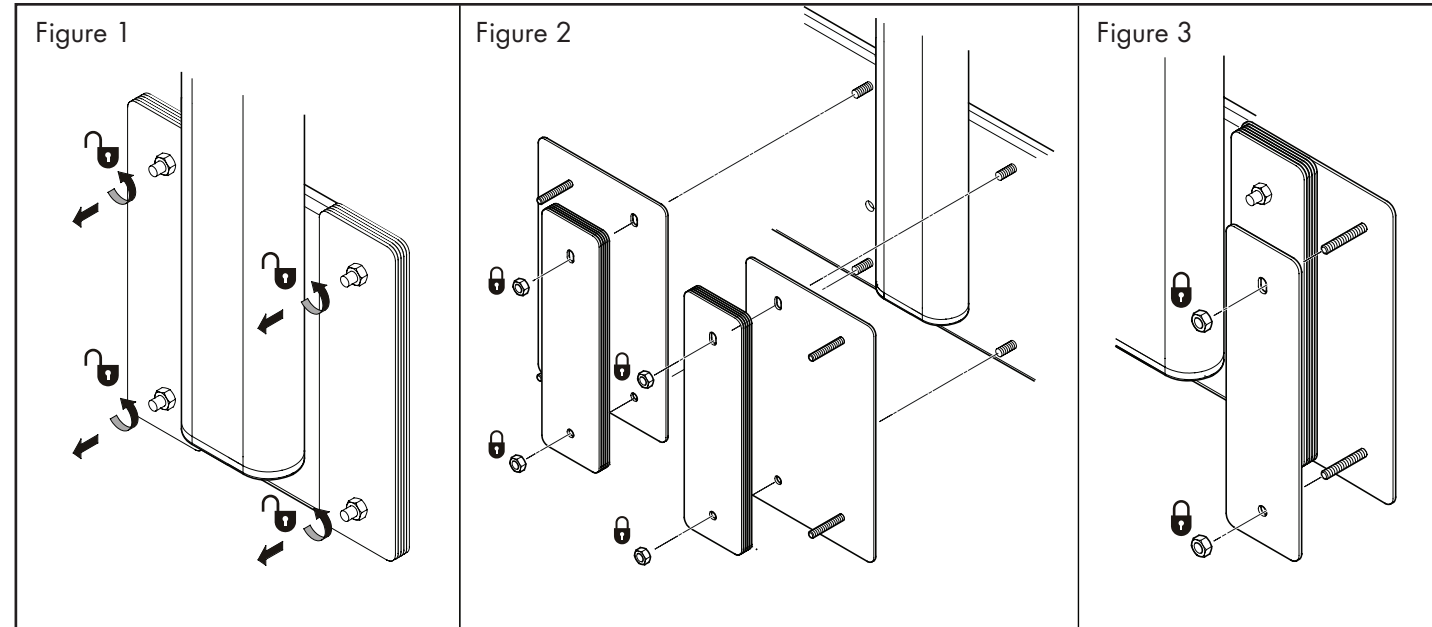
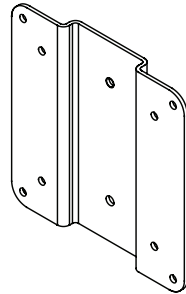


Installing weights

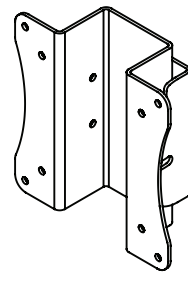
Remove nuts (figure 1), add weight plates, and secure nuts (figure 2). Fully close the Ascent and then press to release to test the counterbalancing. Add or remove one plate at a time to test movement. Adding more than two weight packs requires the Weight Extension Plate Kit. To install the extension plate, remove nuts and weights, install extension plates, replace weights and secure (figure 3). Add weights as required and test as after each addition.



Optional
VESA
Fixed
Bracket



Optional
VESA
Tilt
Bracket



OPTIONAL KITS

Additional Weight Pack (3.88 oz. x10 Plates):
P/N 2990-9774-BE

Weight Extension Plate Kit: P/N 2990-9775-BE
(required if more than two weights packs used)

VESA Tilt Bracket (fasteners included): P/N 2990-9776-BE

VESA Fixed Bracket Kit (fasteners included):
P/N 2990-9777-BE

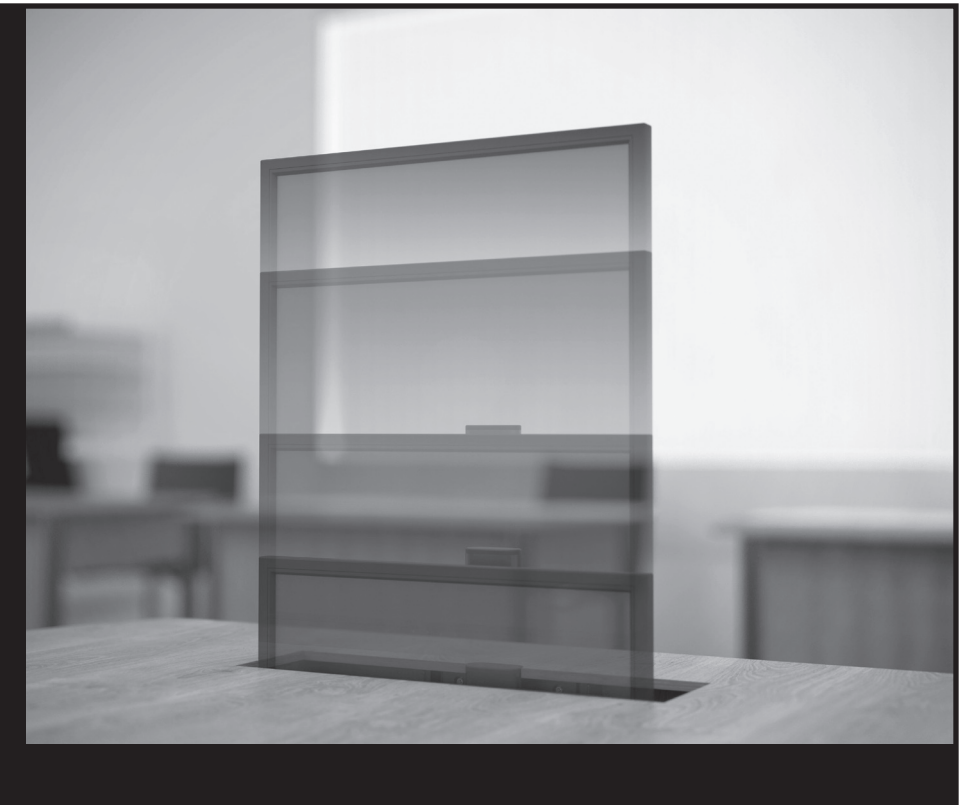
Warranty

Accuride's Ascent Lift is warranted against defects in workmanship or materials under normal use for two years after date of purchase from an authorized Accuride distributor. Accuride will repair or replace (as determined by Accuride or its authorized representative at its sole discretion) defective products at no charge to the original purchaser within the warranty period so long as the original purchaser returns the product, shipping prepaid, to Accuride or an authorized Accuride distributor. This represents Accuride's sole warranty obligation to original purchasers of its products. This warranty is non-transferable. To the maximum extent permitted by applicable law, Accuride disclaims any other warranties, express or implied, including warranties of fitness for a particular purpose and warranties of merchantability. Accuride will not be liable for any damages whatsoever arising out of the use or inability to use the Ascent Lift, even if Accuride has been advised of the possibility of such damages. Accuride shall not be responsible for incidental or consequential damages, because some states or jurisdictions do not allow the exclusion or limitation of liability for consequential or incidental damages, the above limitation may not apply. Any repair or modification of the Ascent Lift not performed or specifically authorized by Accuride will void the warranty provided above. Accuride will not be responsible for damage to the Ascent Lift caused by misuse, abuse, failure to properly package the product for return to Accuride, or for damage caused by carriers during shipment either to or from Accuride or an authorized Accuride distributor. This warranty does not extend to any damage to products used in conjunction with the Lift. Any repairs necessitated by misuse, abuse, or shipping damage to the Lift or repairs of defective Lift returned after the warranty period has expired will be performed at then current rates established by Accuride for factory service. For repair or replacement of a Lift, please send the damaged unit to the following shipping address, only after obtaining authorization from Accuride International Inc.

Accuride International Inc.
Attn: Technical Services
12311 Shoemaker Ave.
Santa Fe Springs, CA

3700-9524 (1211) 2068F-0809

Accuride
www.accuride.com



Ascent

CBLIFT-0019

User's Guide

Load capacity: 5.5–14.5 lbs.

Screens up to 22" diagonal and 17.5" tall

Ascent

CBLIFT-0019

User's Guide

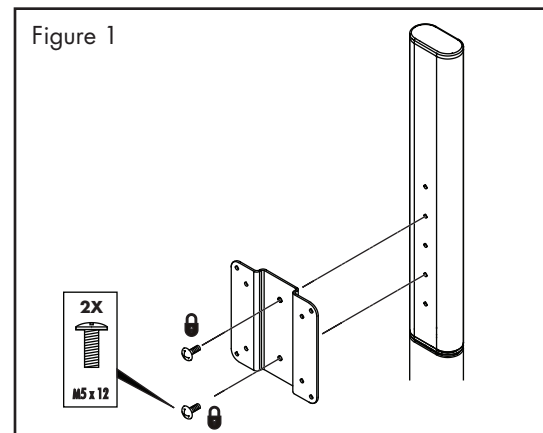
Congratulations on the purchase of the Ascent Lift from Accuride. Before operation, be sure to read all instructions. Should you need to purchase screen-mounting bracket kits, additional weight packs, or extension plate kits, please contact the company that supplied and/or installed the lift into the cabinet.

★ IMPORTANT INFORMATION

- Load capacity: 5.5–14.5 lbs.
- Screens up to 22" diagonal and 17.5" tall

WARNING

- The Ascent Lift warranty is voided if the product is modified in any way or the instructions for the product are not followed.
- Please read all instructions before operating the Ascent Lift.
- The Ascent Lift is under strong spring force. Do not operate the lift without attaching adequate counterbalance weights. See the weight matrix for recommended weight packs.

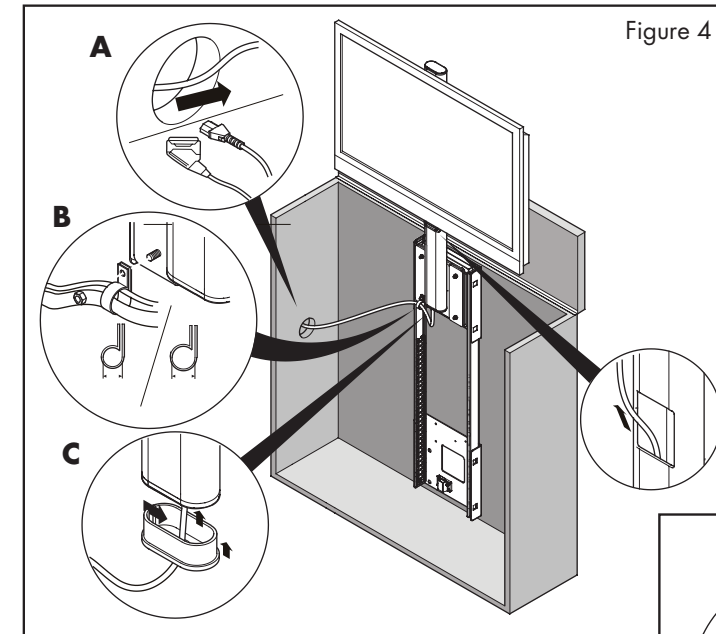
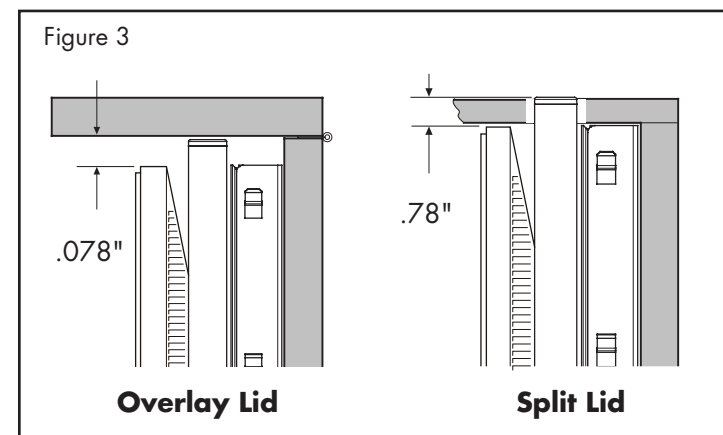
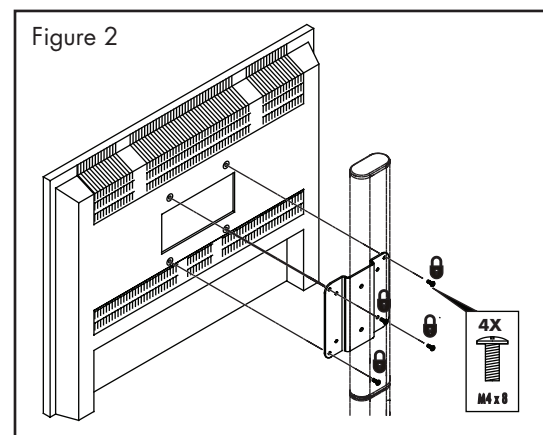


Bracket Installation

Install television/screen mounting bracket (not included). See the bracket kit technical sheet for detailed installation instructions and ordering information (figure 1).

Television/Screen Installation

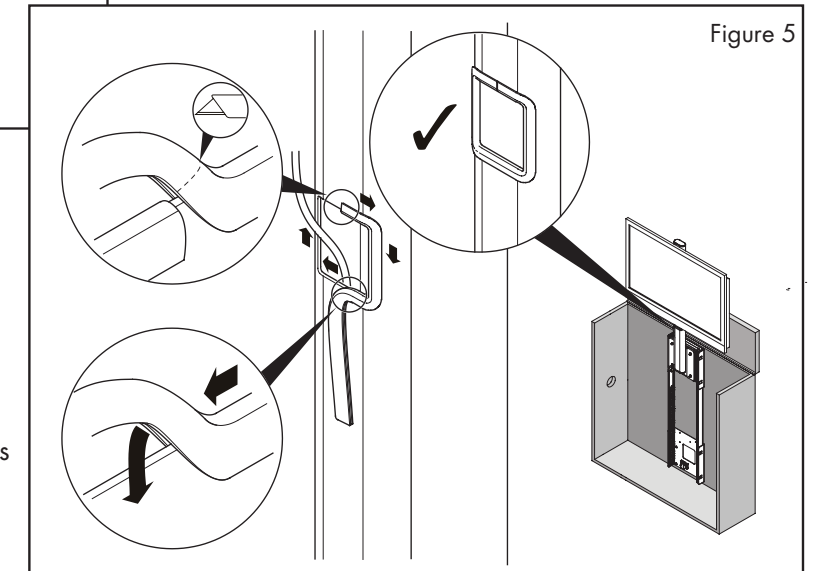
Install television/screen to mounting bracket (not included). See the bracket kit technical sheet for instructions (figure 2). Note the minimum clearance dimensions for cabinet lids (figure 3).



Wiring

Route cables through wiring access hole in cabinet (A), through cable clamp (B), to top of the column (C) and to the back of the screen. Adjust the slack and secure the clamp (figure 4).

Install the edge protector (figure 5).



Counterbalance Weight Installation

Weight plates are installed to counterbalance the weight of the television/screen. The Ascent comes with one weight pack, which includes 10 units @ 3.88 oz. [110 gm] each, totalling 2.43 lbs. [1.1 kgs.]. See the chart below to determine the potential number of weight packs required for your specific installation. Additional optional weight packs may be ordered. If more than two weight packs are required, order the Weight Extension Plate Kit (Part number 2990-9775-BE).

★ IMPORTANT: Inadequate weight may cause the unit to rise too quickly. Too much weight will override the spring-action movement.

Note: Bracket and extension plate weights are accounted for within the calculations below.

SCREEN WEIGHT	NO BRACKET	FIXED BRACKET	TILT BRACKET
Minimum Weight *	6.61 lbs./3 kgs.	5.73 lbs./2.6 kgs.	5.51 lbs./2.5 kgs.
<i>Number of Additional Weight Packs Recommended</i>			
5.51–7.72 lbs. [2.5–3.5 kgs.]	3	3	3
7.72–8.82 lbs. [3.5–4.0 kgs.]	3	3	2
8.82–11.0 lbs. [4.0–5.0 kgs.]	2	2	2
11.0–12.12 lbs. [5.0–5.5 kgs.]	1	1	1
12.12–13.2 lbs. [5.5–6.0 kgs.]	1	1	0
13.2–14.5 lbs. [6.0–6.6 kgs.]	0	0	0
<i>Maximum Weight**</i>		14.5 lbs. /6.6 kgs.	

* Weights less than this may not provide enough counterbalance for the mechanism and could cause rapid movement that may damage the unit or the installed item.

** Weights above this may override the spring-action on the lift, requiring manual movement.