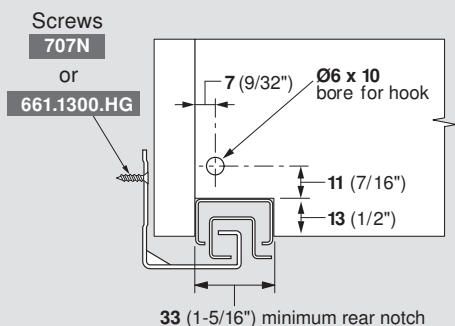


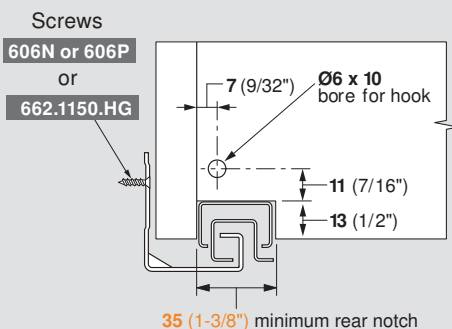
# New TANDEM plus BLUMOTION drawer preparation changes

## Drawer preparation

### Current program



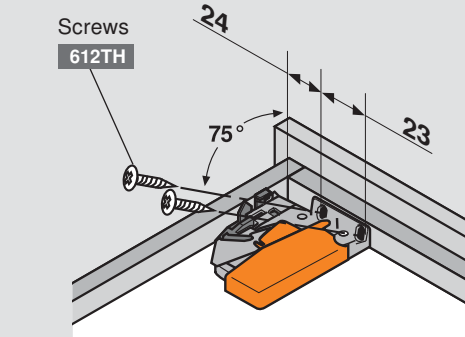
### New program



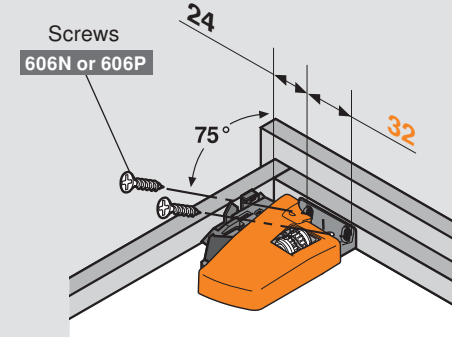
- No change to rear hook hole location, depth or diameter
- Rear notch width changes from **33** (1-5/16") to **35** (1-3/8")
- Mounting screws change from #7 head to #6 head wood or system screws

## Locking devices

### Current hole location



### New hole location



- **9** (11/32") difference in mounting hole location
- Mounting screws change from #6 truss head screws to #6 flat head wood screws

Part no.

Without side adjustment

**T51.18xx**

**NOTE:** T51.17xx locking devices cannot be used with new 563 runners. T51.18xx and T51.19xx locking devices cannot be used with 562 runners.

Locking devices

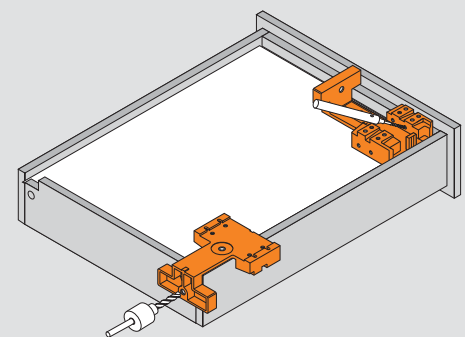
**T51.17xx**

With side adjustment

**T51.19xx**

## TANDEM template

### Current

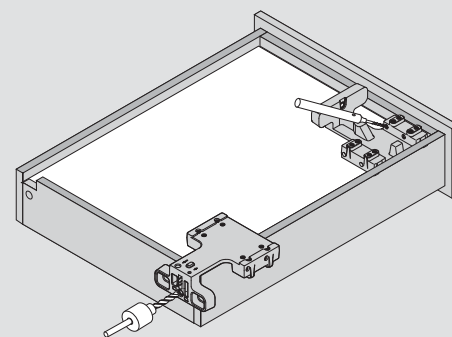


Part no.

562/568 template

**T65.1000.02**

### New



Part no.

563/569 template

**T65.1600**

- Color changes from orange to gray
- Hole locations change to accommodate new locking devices