

TANDEMBOX N height drawer

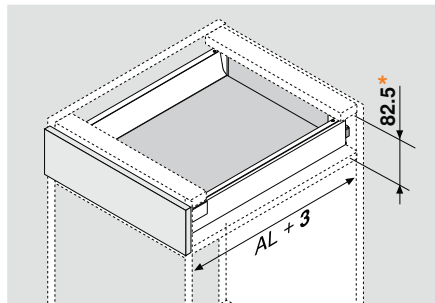
Application



Description

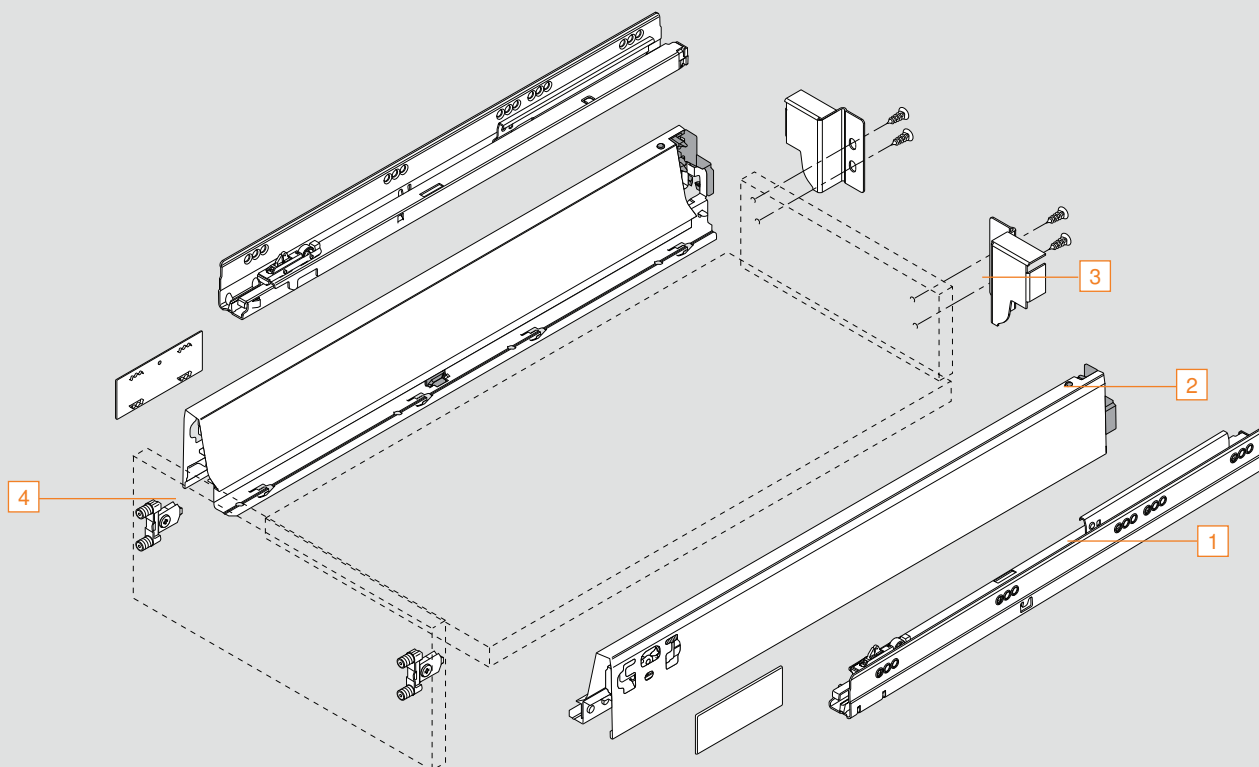
- Full extension drawer system with BLUMOTION
- TANDEM smooth running mechanism
- Two-dimensional drawer front adjustment
- Dynamic load capacity of 75 lb
- Drawer side height 69 (2-11/16")

Space requirements



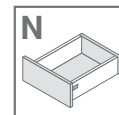
AL = actual cabinet profile length
*Minimum opening height based on 3 (1/8") clearance

Components



NOTE: Parts identified on right page

Required parts

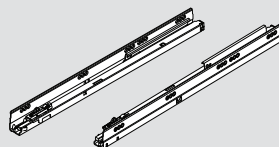


Cabinet and drawer profile sets

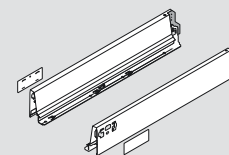
Sets include:

- Left and right profiles
- Drawer profile includes color coordinated cover caps

1 cabinet profile



2 drawer profile



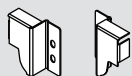
nominal length	actual cabinet profile length	75 lb		
			gray	stainless steel
16"	400 (15-3/4")	558.4001B	358N4002SA	358N4002IA
18"	450 (17-11/16")	558.4501B	358N4502SA	358N4502IA
20"	500 (19-11/16")	558.5001B	358N5002SA	358N5002IA
22"	550 (21-5/8")	558.5501B	358N5502SA	358N5502IA
Installation wood screw		707N	612TH	612TH
Installation system screw		661.1300.HG		

Rear fixing bracket set

3

Set includes:

- Left and right bracket
- Colors: gray or nickel



Part no.

Rear fixing bracket set **Z30N000S.04**

Installation screw **612TH**

Front fixing bracket

4

- Two required per drawer
- For use with N and M height drawer profiles only

INSERTA



Screw-on



Part no.

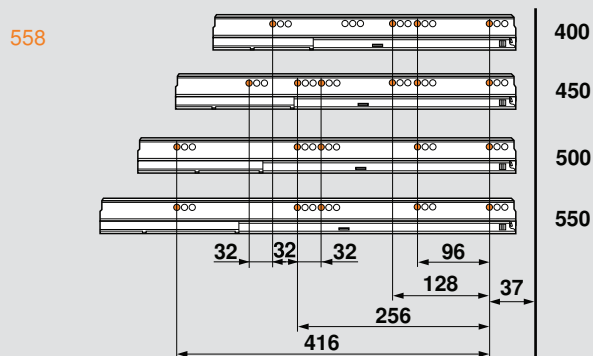
INSERTA **ZSF.3902**

Screw-on* **ZSF.3502.02**

*Use of #6 x 3/4" minimum truss head screw is recommended

TANDEMBOX N height drawer

Cabinet profile installation



NOTE: Recommended screw locations in orange (system screws or #7 wood screws)

Cutting dimensions for bottom and back

Drawer bottom

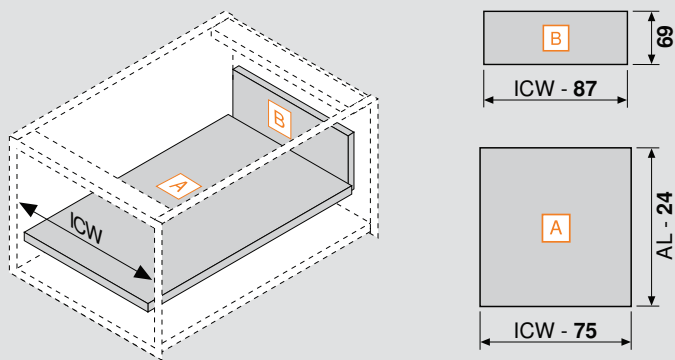
Width = opening width minus **75** (2-15/16")

Length = actual cabinet profile length minus **24** (15/16")

Drawer back

Width = opening width minus **87** (3-7/16")

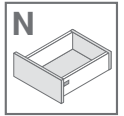
Height = **69** (2-11/16")



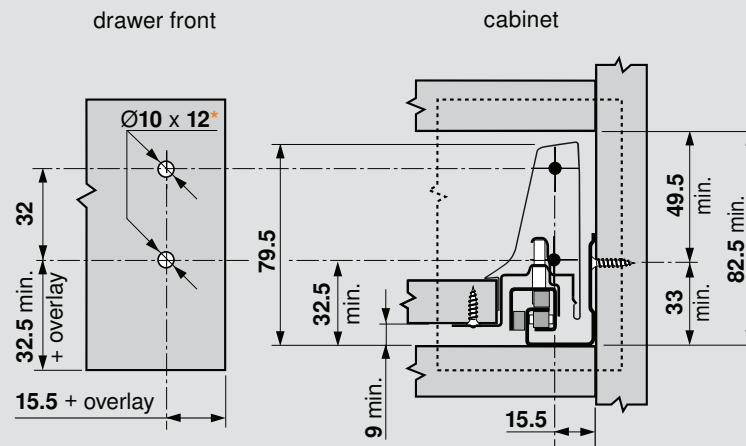
AL = actual cabinet profile length

ICW = opening width

NOTE: Use **16** (5/8") material for bottom and back



Front fixing bracket installation



*Pre-boring dimensions for INSERTA and EXPANDO only, for screw-on pre-bore $\text{Ø}2 \times 2.5$

Rear fixing bracket installation

drawer back

