

# TANDEM plus BLUMOTION 563F installation instructions

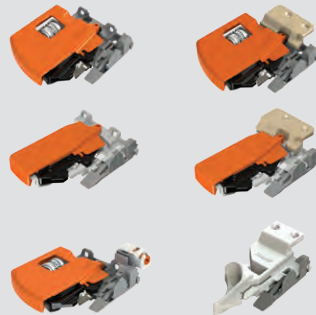
BLUMOTION  
inside

## Full extension concealed drawer runners

### Basic components



### Locking devices



### Runners

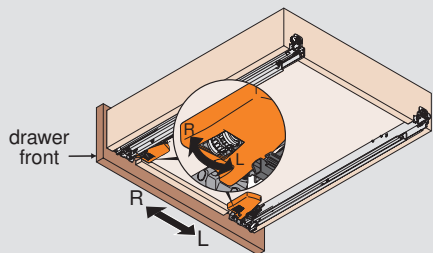


### Rear attachment options



### New side adjustment

**1** Rotate side adjustment left or right equally on both locking devices. Drawer front moves in the same direction as rotation.

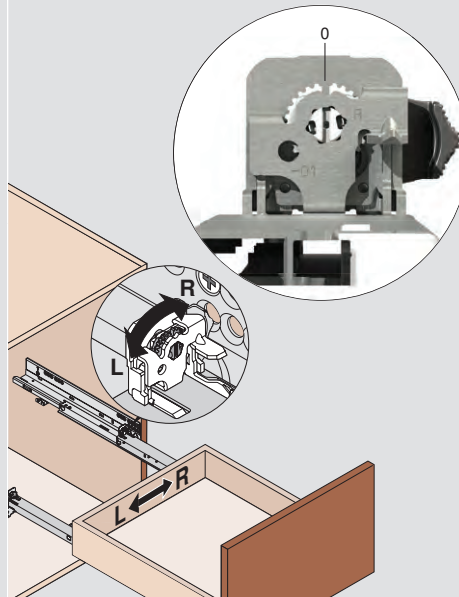


Maximum 1.5 (1/16") to left or right on both front and rear (tool-free)

**NOTE:** Side adjustment not available on T51.x8xx locking devices

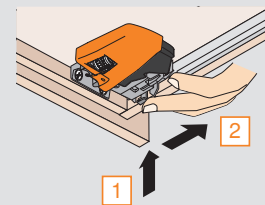
### New rear side adjustment

**2** After front side adjustment is made with the locking devices, rotate the rear side adjustment left or right to re-align the back of the drawer box with the front. Drawer back moves in the same direction as rotation.



### Height adjustment

**1** Press up on adjustment tab  
**2** Push towards back of drawer

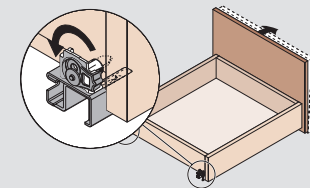


Maximum 3 (1/8") rise of drawer front (tool-free)

**NOTE:** Height and tilt adjustments available with all combinations of locking devices and runners

### Tilt adjustment

Rotate the tilt adjustment lever on the rear of each runner to lift the back of the drawer and tilt the top of the drawer front forward.

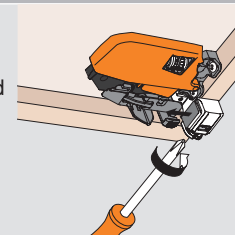


Maximum 5 (3/16") rise of drawer back (tool-free)

### New depth adjustable locking device

Locking device

**T51.1901.PS**  
with side, height and  
depth adjustment

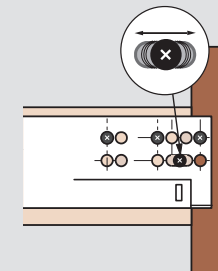


Turning the adjustment screw allows for up to a +2.5 (3/32") out adjustment

**NOTE:** For T51.1901.PS setback in inset applications, see page 5

### Depth adjustment on runner

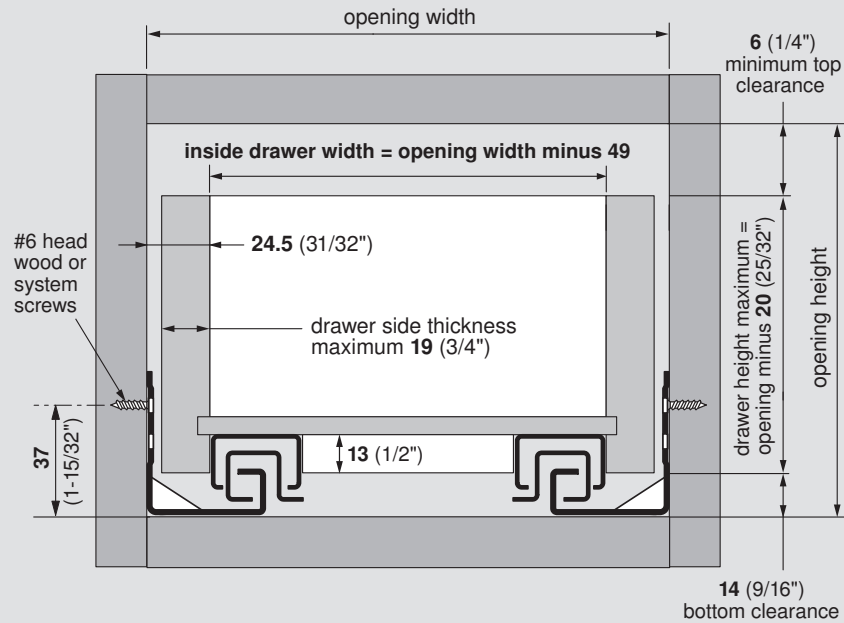
TANDEM 563 runners feature elongated holes that allow ±4.5 (3/16") depth adjustment



# Drawer specifications

## Face frame and panel cabinet applications

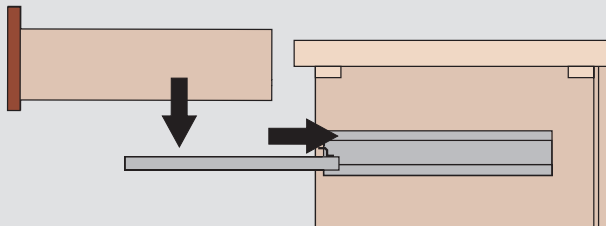
### Front view



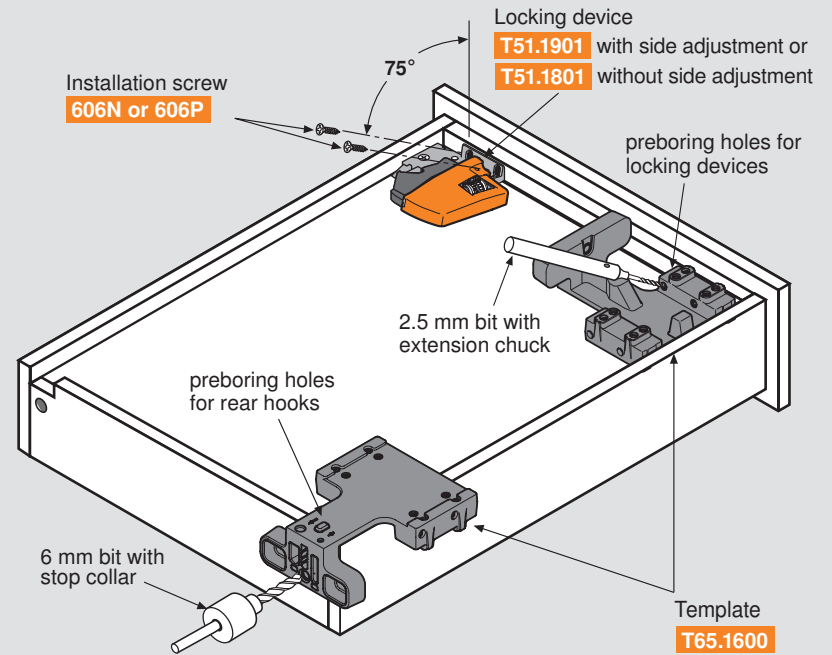
**NOTE:** Because material thickness may vary, the inside drawer width must equal opening width minus 49 for TANDEM to align and function properly

## Drawer insertion

Extend the drawer runners fully. Place the drawer on the runners and close. The locking devices automatically engage with the runners. Make adjustments if necessary.



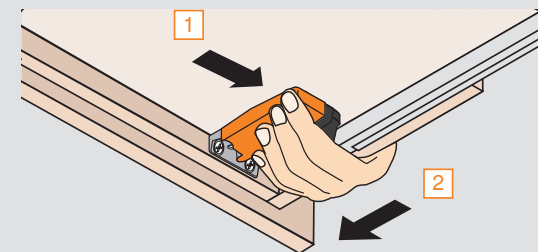
## Preparing for hardware installation



**NOTE:** Use of the T65.1600 template is essential for accurate location and angle of pre-bored locking device holes and accurate boring for rear hook holes

## Drawer removal

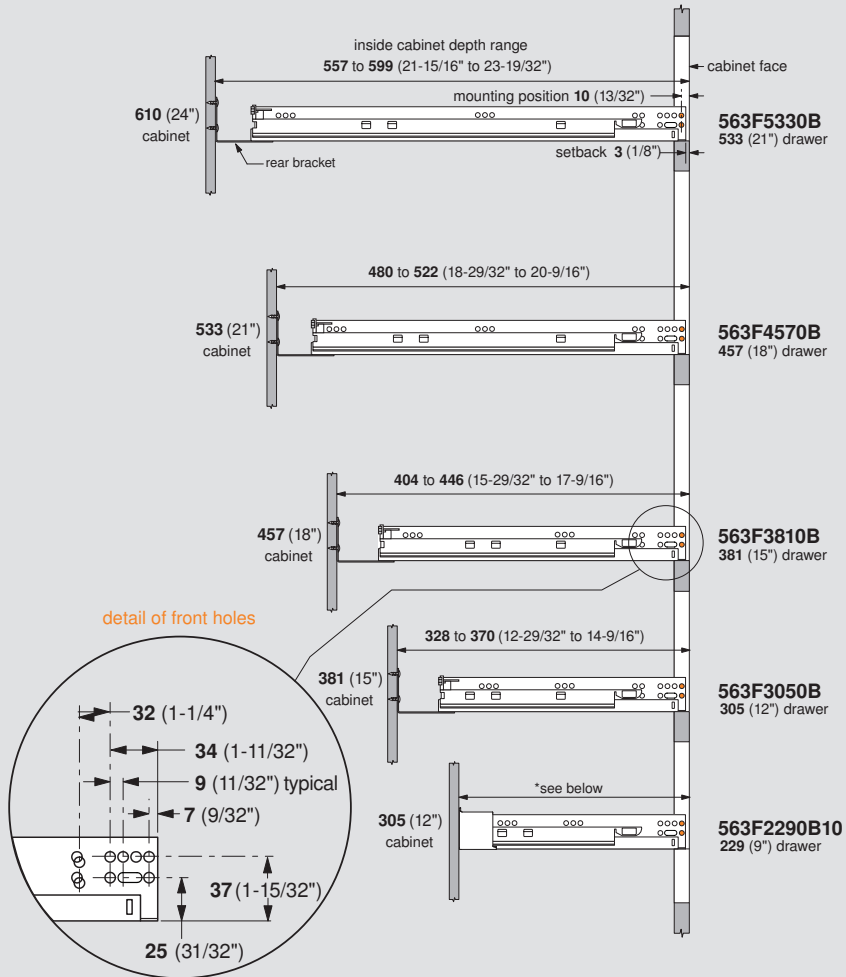
- 1 Squeeze orange handles on locking devices
- 2 Pull drawer straight out and up



# Face frame application

## Runner mounting specifications

Side view



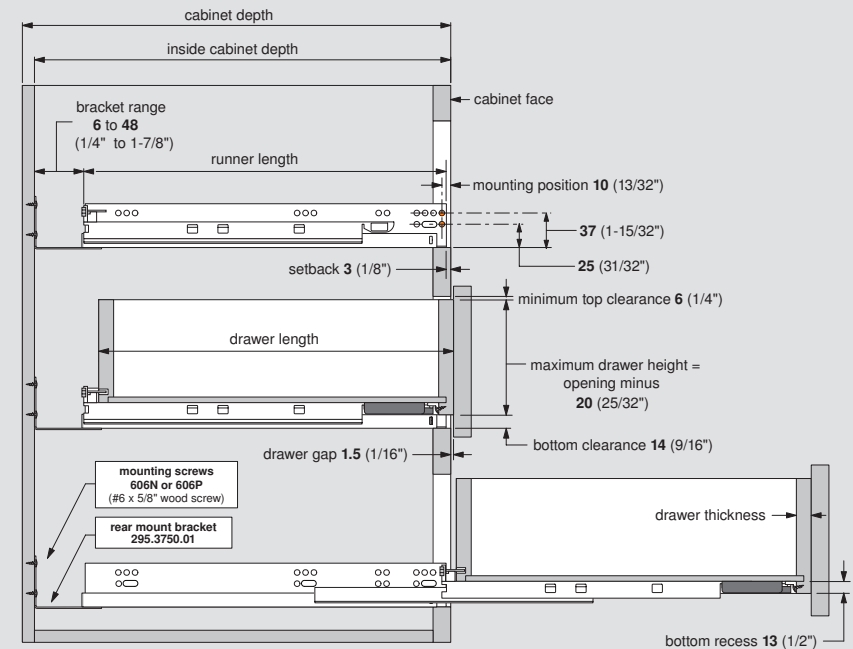
*bracket	maximum depth	minimum depth
295.3700.21	282 (11-3/32")	266 (10-15/32")
295.3700.22	299 (11-25/32")	283 (11-5/32")

NOTE: \*These brackets are for 563F2290B10 only

NOTE: Orange dots indicate screw locations required to meet specified load capacities

## Cabinet and drawer specifications

Side view



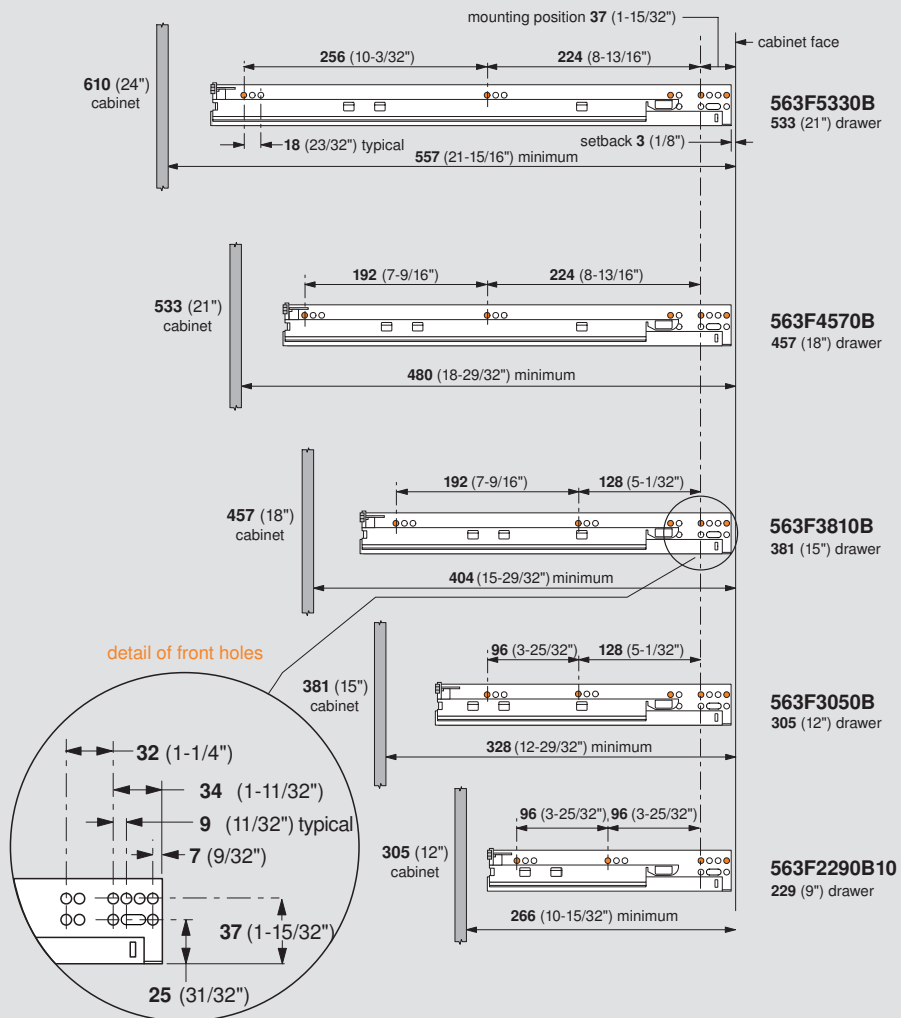
TANDEM plus BLUMOTION	cabinet depth	inside cabinet depth		drawer length	maximum drawer thickness	runner length
		maximum	minimum			
563F5330B	610 (24")	599 (23-19/32")	557 (21-15/16")	533 (21")	19 (3/4")	548 (21-9/16")
563F4570B	533 (21")	522 (20-9/16")	480 (18-29/32")	457 (18")		471 (18-17/32")
563F3810B	457 (18")	446 (17-9/16")	404 (15-29/32")	381 (15")		395 (15-9/16")
563F3050B	381 (15")	370 (14-9/16")	328 (12-29/32")	305 (12")		319 (12-9/16")
563F2290B10	305 (12")	299 (11-25/32")	266 (10-15/32")	229 (9")		259 (10-3/16")

T51.1901R	Locking device with side adjustment (right)	295.3750.01	Rear mounting bracket, non-handed
T51.1901L	Locking device with side adjustment (left)	295.3700.21	563F2290B10 rear bracket, non-handed
T51.1801R	Locking device (right)	295.3700.22	563F2290B10 rear bracket, non-handed
T51.1801L	Locking device (left)		
606N or 606P	#6 Wood screw (for mounting runner to cabinet side, rear brackets and locking devices)		

# Panel application

## Runner mounting specifications

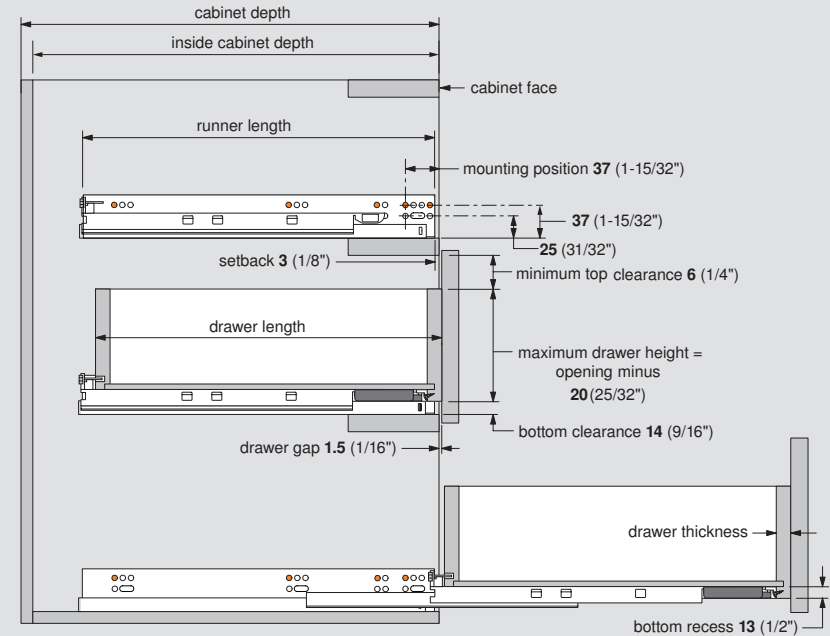
Side view



**NOTE:** Orange dots indicate screw locations required to meet specified load capacities

## Cabinet and drawer specifications

Side view



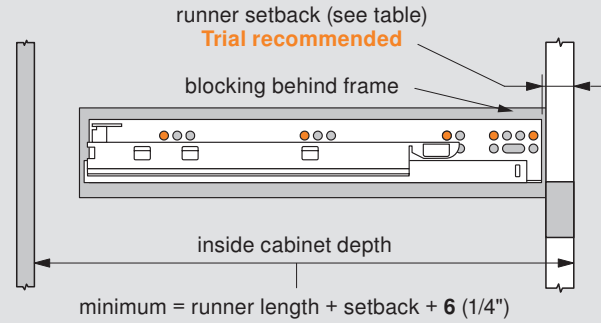
TANDEM plus BLUMOTION	cabinet depth	minimum inside cabinet depth	drawer length	maximum drawer thickness	runner length
563F5330B	610 (24")	557 (21-15/16")	533 (21")	19 (3/4")	548 (21-9/16")
563F4570B	533 (21")	480 (18-29/32")	457 (18")		471 (18-17/32")
563F3810B	457 (18")	404 (15-29/32")	381 (15")		395 (15-9/16")
563F3050B	381 (15")	328 (12-29/32")	305 (12")		319 (12-9/16")
563F2290B10	305 (12")	266 (10-15/32")	229 (9")		259 (10-3/16")

T51.1901R	Locking device with side adjustment (right)
T51.1901L	Locking device with side adjustment (left)
T51.1801R	Locking device (right)
T51.1801L	Locking device (left)
606N or 606P	#6 Wood screw (for mounting runner to cabinet side, rear brackets and locking devices)
662.1150.HG	#6 System screw (for mounting runner to cabinet side)

# Inset application

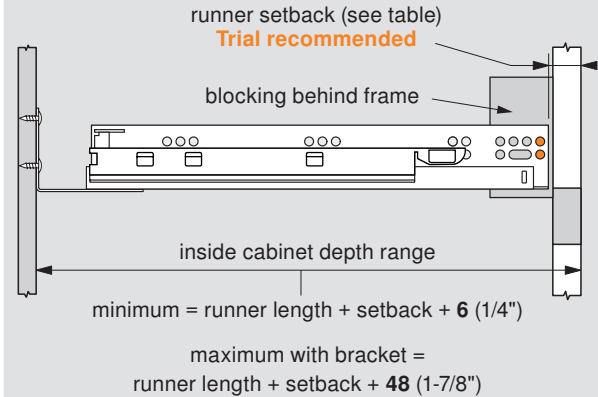
## Face frame application — complete blackout

Side view



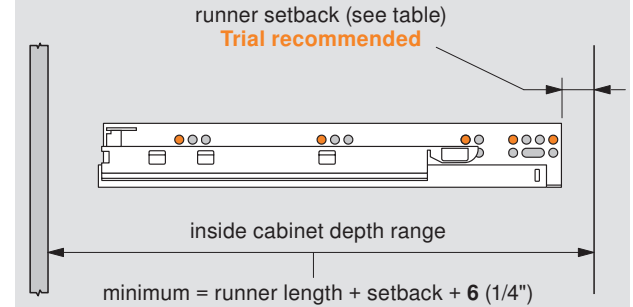
## Face frame application — partial blackout

Side view



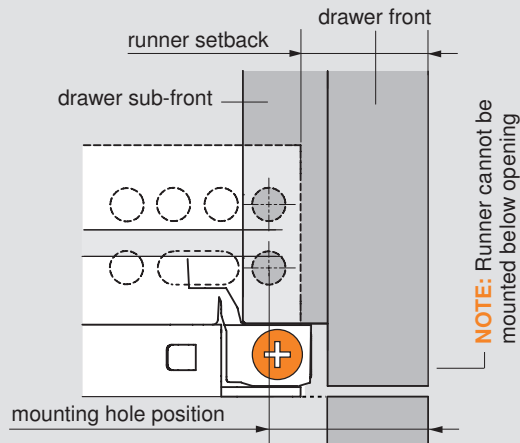
## Panel application

Side view



## Setback information

Side view



**NOTE:** For mounting hole position add 7 (9/32") to runner setback

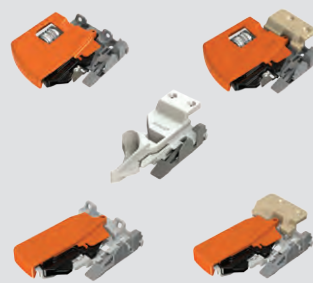
## Runner setback when using depth adjustable locking device (T51.1901.PS)



563/569 F/A	runner setback			
	sub-front thickness	13 (1/2")	17 (21/32")	20 (25/32")
	16 (5/8")	20 (25/32")	23 (29/32")	26 (1-1/32")
	19 (3/4")	23 (29/32")	26 (1-1/32")	29 (1-5/32")
	16 (5/8")	19 (3/4")	22 (7/8")	
	drawer front thickness			
calculating runner setback	563/569 F/A	sub-front thickness + drawer front thickness minus 12 (15/32")		

- Setbacks in this table recess the face of the drawer front inside of the cabinet 1 (1/32")
- The depth adjustment can then be used to move the drawer front out to its desired position, 2.5 (3/32") out adjustment only

## Runner setback when using all other locking devices



563/569 F/A	runner setback			
	sub-front thickness	13 (1/2")	14.5 (9/16")	17.5 (11/16")
	16 (5/8")	17.5 (11/16")	20.5 (13/16")	23.5 (15/16")
	19 (3/4")	20.5 (13/16")	23.5 (15/16")	26.5 (1-1/32")
	16 (5/8")	19 (3/4")	22 (7/8")	
	drawer front thickness			
calculating runner setback	563/569 F/A	sub-front thickness + drawer front thickness minus 14.5 (9/16")		

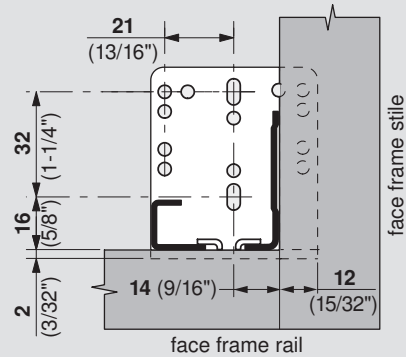
- Setbacks in this table set the face of the drawer front flush with the face of the cabinet
- If a depth adjustable locking device is needed, please see the locking device and table above

# Attachment specifications

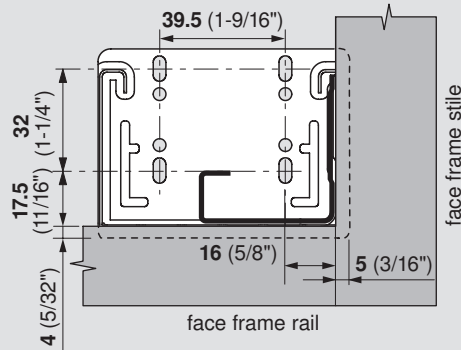
## Rear attachment options for face frame applications

### Front view

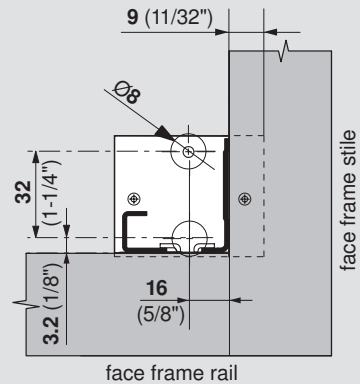
**295.3750.01** rear mounting bracket, non-handed



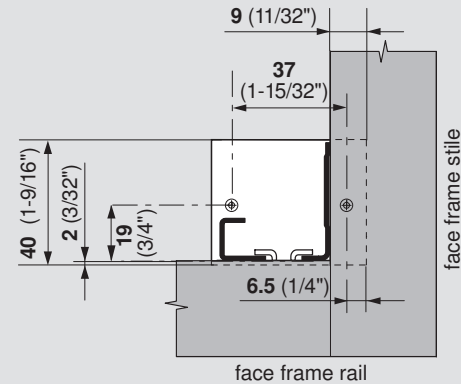
**295.3700.2x** for 563F2290B10, non-handed



**295.6410** Plug-in socket, non handed



**295.6400** Screw-on socket, non handed



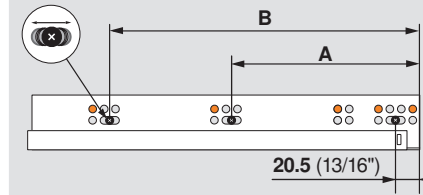
**NOTE:** Use at least three 606N or 606P installation screws for 295.3750.01 or 295.3700.2x

### Millimeter to inch conversion chart

1	1.5	2	3	4	5	5.5	6	7	8	9	9.5	10	11	12	13	13.5	14	15	16	17	17.5	18	19	20	20.5	21	22	23	24	24.5	25.4
1/32	1/16	3/32	1/8	5/32	3/16	7/32	1/4	9/32	5/16	11/32	3/8	13/32	7/16	15/32	1/2	17/32	9/16	19/32	5/8	21/32	11/16	23/32	3/4	25/32	13/16	27/32	7/8	29/32	15/16	31/32	1

## Depth adjustment specifications

### Side view



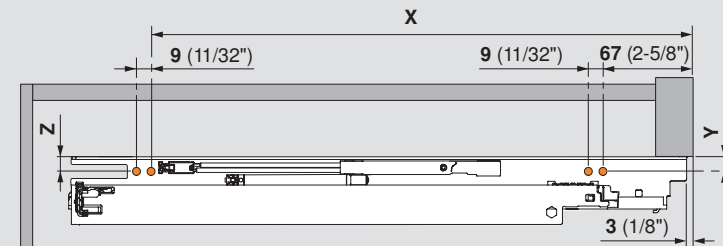
TANDEM plus BLUMOTION	A	B
<b>563F5330B</b>	244.5 (9-5/8")	500.5 (19-23/32")
<b>563F4570B</b>	244.5 (9-5/8")	436.5 (17-3/16")
<b>563F3810B</b>	148.5 (5-27/32")	340.5 (13-13/32")
<b>563F3050B</b>	148.5 (5-27/32")	244.5 (9-5/8")
<b>563F2290B10</b>	116.5 (4-19/32")	212.5 (8-3/8")

Mount each runner using at least two of the elongated holes. Install the drawer to check the position of the drawer front.

Remove the drawer, loosen screws and make adjustments if necessary,  $\pm 4.5$  (3/16"). Tighten the screws, verify the drawer front position and finish mounting the runners using the screw locations indicated by the orange dots.

## Bottom mounting specifications

### Top view



TANDEM plus BLUMOTION	drawer length	minimum inside cabinet depth	X	Y	Z
<b>563F5330B</b>	533 (21")	557 (21-15/16")	448 (17-5/8")	15.5 (5/8")	22.5 (7/8")
<b>563F4570B</b>	457 (18")	480 (18-29/32")	378 (14-7/8")	15.5 (5/8")	22.5 (7/8")
<b>563F3810B</b>	381 (15")	404 (15-29/32")	319 (12-9/16")	15.5 (5/8")	22.5 (7/8")