

# TANDEM plus BLUMOTION 569F/569A

## New side adjustment

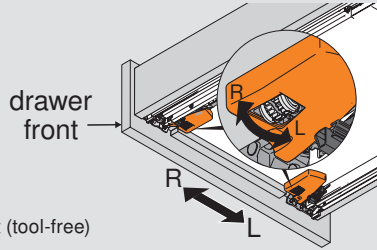
1. Rotate side adjustment left or right equally on both locking devices. Drawer front moves in the same direction as rotation.

with locking device

**T51.19xx**

Maximum 1.5 (1/16") to left or right (tool-free)

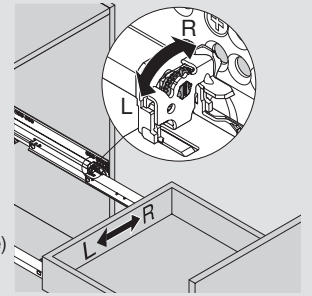
**NOTE:** Side adjustment not available on T51.18xx locking devices



## New rear side adjustment

2. After front side adjustment is made with the locking devices, rotate the rear side adjustment left or right to re-align the back of the drawer box with the front. Drawer back moves in the same direction as rotation.

Maximum 1.5 (1/16") to left or right (tool-free)

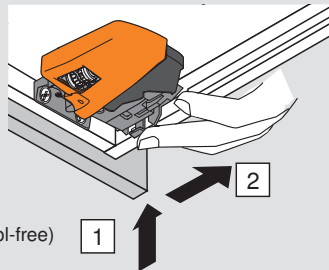


## Height adjustment

1. Press up on adjustment tab  
2. Push towards back of drawer

Maximum 3 (1/8") rise of drawer front (tool-free)

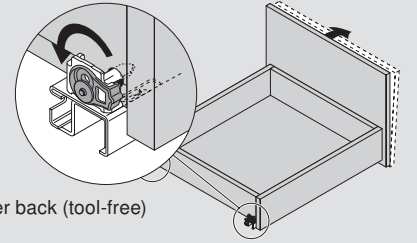
**NOTE:** Height adjustment available on all TANDEM locking devices



## Tilt adjustment

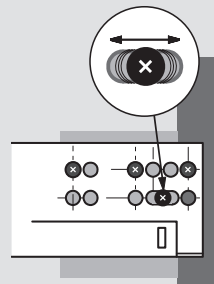
Rotate the tilt adjustment lever on the rear of each runner to tilt the top of the drawer front forward.

Maximum 5 (3/16") rise of drawer back (tool-free)



## New depth adjustment on runner

TANDEM 569 runners feature elongated holes that allow +/- 4.5 (3/16") depth adjustment.

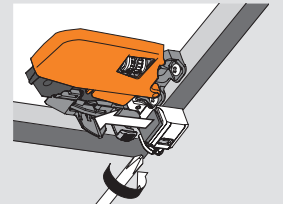


## New depth adjustable locking device

Locking device

**T51.1901.PS**

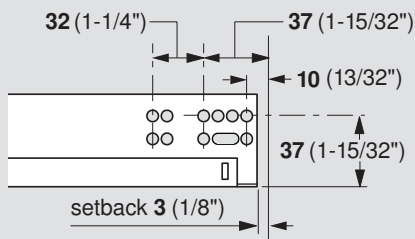
with side, height and depth adjustment



Turning the adjustment screw allows for up to a + 2.5 (3/32") out adjustment

**NOTE:** For T51.1901.PS setback in inset applications, see the TANDEM brochure

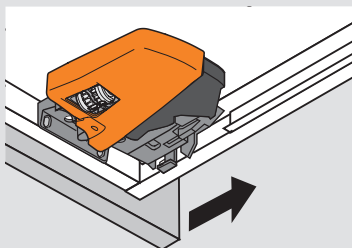
## New profile setback



**NOTE:** Hole locations to the face of the cabinet stay the same. For inset applications see the TANDEM brochure

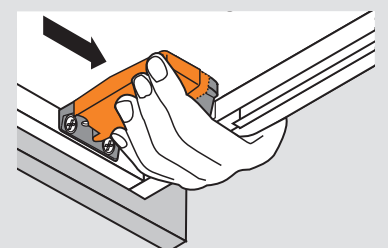
## Drawer insertion

1. Place drawer on runners and close. Locking devices will automatically connect to runners.



## Drawer removal

1. Squeeze orange handles on locking devices  
2. Pull drawer straight out and up



See blum.com for complete technical specifications and installation instructions.

INST-TDM569F.03.12

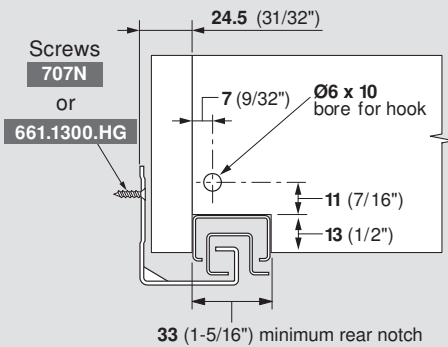
Subject to technical modifications without notice. © 2012 Blum, Inc.  
BAU0026482480 INDR 4079703 MA-581/0EN TAND 569F/A-B

blum®

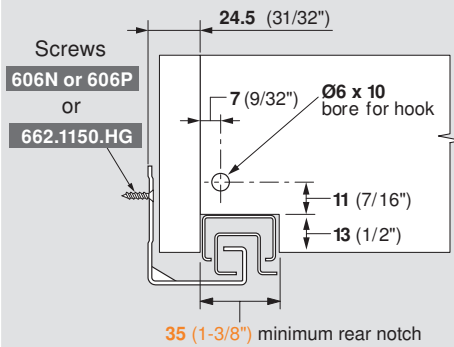
# TANDEM plus BLUMOTION

## Drawer preparation

568F/568A runners



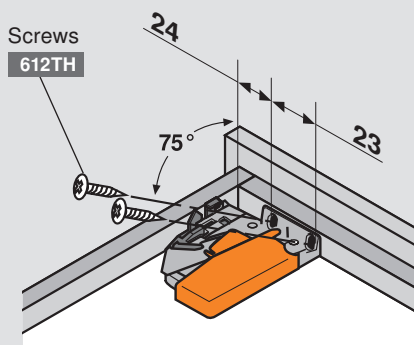
New 569F/569A runners



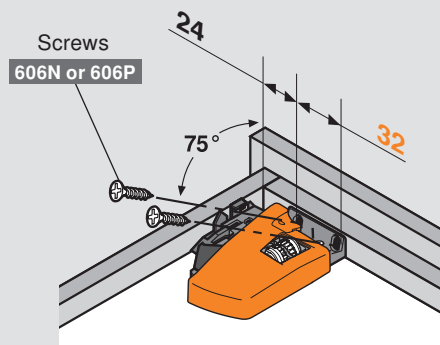
- No change to rear hook hole location, depth or diameter
- Rear notch width changes from **33** (1-5/16") to **35** (1-3/8")
- Mounting screws change from #7 head to #6 head wood or system screws

## Locking devices

568 runners



New 569 runners



- **9** (11/32") difference in mounting hole location
- Mounting screws change from #6 truss head screws to #6 flat head wood screws

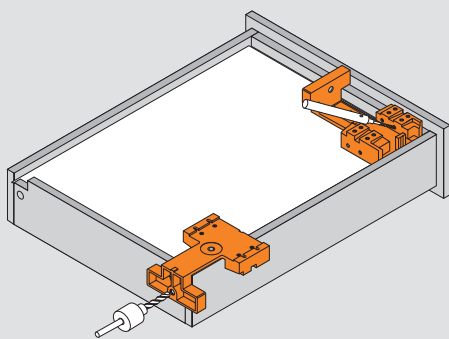
Locking devices **Part no. T51.17xx**

Part no.  
Without side adjustment **T51.18xx**  
With side adjustment **T51.19xx**

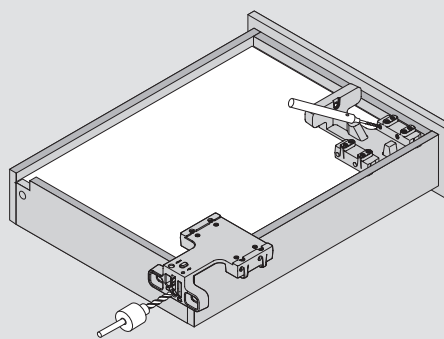
**NOTE:** T51.17xx locking devices cannot be used with new 569 runners. T51.18xx and T51.19xx locking devices cannot be used with 568 runners.

## TANDEM template

568 runners



New 569 runners



- Color changes from orange to gray
- Hole locations change to accommodate new locking devices

562/568 template **Part no. T65.1000.02**

563/569 template **Part no. T65.1600**