

TANDEM plus BLUMOTION 569H/569.

Product info
TANDEM plus BLUMOTION
New product

Application



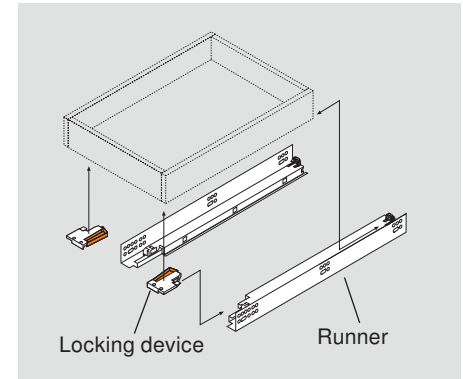
New features

- Four-dimensional adjustment
- Elongated holes for depth adjustment
- 150 lb static load capacity

Also features

- Full extension concealed drawer runners
- Panel or blocked-out face frame cabinets
- BLUMOTION soft closing
- TANDEM smooth running action
- Available in 18 to 30" lengths
- 13 (1/2") to 16 (5/8") drawer thickness

Basic components



Components

Runner set			
One set required per drawer	For overall cabinet depth	Drawer length	TANDEM plus BLUMOTION
	533 (21")	457 (18")	569H4570B
	610 (24")	533 (21")	569H5330B
	686 (27")	610 (24")	569.6100B
	762 (30")	686 (27")	569.6860B
	838 (33")	762 (30")	569.7620B
	Wood screw for installation		
	System screw for installation		662.1150.HG

Side adjustable locking device		
	<ul style="list-style-type: none"> ■ Minimum inside drawer width 170 (6-11/16") ■ Height adjustment +3 (1/8") ■ Side adjustment ±1.5 (1/16") ■ For use with 563/569 series runners only 	
	Part no.	
Right and left required per drawer	Right locking device	T51.1901 R
	Left locking device	T51.1901 L
	Installation screw	606N or 606P

Depth adjustable locking device		
	<ul style="list-style-type: none"> ■ Optional for inset applications ■ Offers 2.5 (3/32") out adjustment, preset at 0 ■ Height adjustment +3 (1/8") ■ Side adjustment ±1.5 (1/16") ■ For use with 563/569 series runners only ■ Minimum sub front thickness 13 (1/2") ■ Designed for 13 (1/2") bottom recess ■ Integrated 3 (1/8") distance bumper ■ See LIT.TDM1100 for setback information 	
	Part no.	
Right and left required per drawer	Right locking device	T51.1901.PS R
	Left locking device	T51.1901.PS L
	Installation screw	606N or 606P

NOTE: For heavy duty applications, rear brackets and sockets cannot be used. Cabinet sides must be blocked-out flush with the inside of the frame.

Maximum drawer thickness **16 (5/8")**

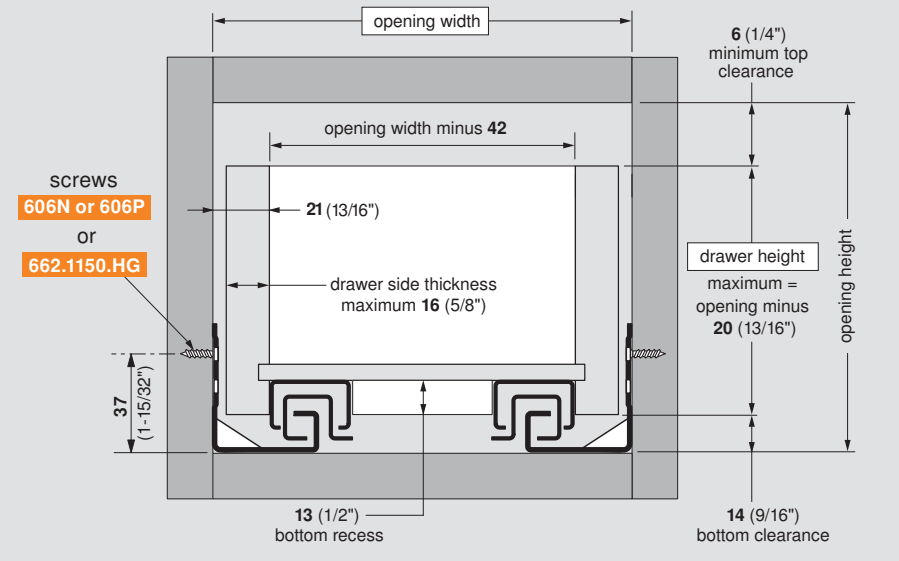
Lengths available **18" - 30"**

Static load capacity **150 lb**

Drawer and cabinet specifications

Front view

Front view



NOTE: Material thickness may vary. Inside drawer width **must** equal opening width minus 42 for TANDEM to align and run properly.

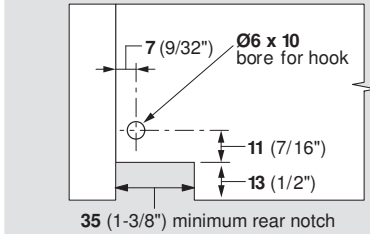
Calculating outside drawer width

For drawer side thickness	16 (5/8")	15 (19/32")	14 (9/16")	13 (1/2")	12 (15/32")
Deduct from inside cabinet width	10 (13/32")	12 (15/32")	14 (9/16")	16 (5/8")	18 (23/32")

Example: For 21" opening width and a 5/8" thick drawer, 21" minus 13/32" = 20-19/32" drawer width

Drawer back preparation

Rear view



Runner comparison

Side view

569H

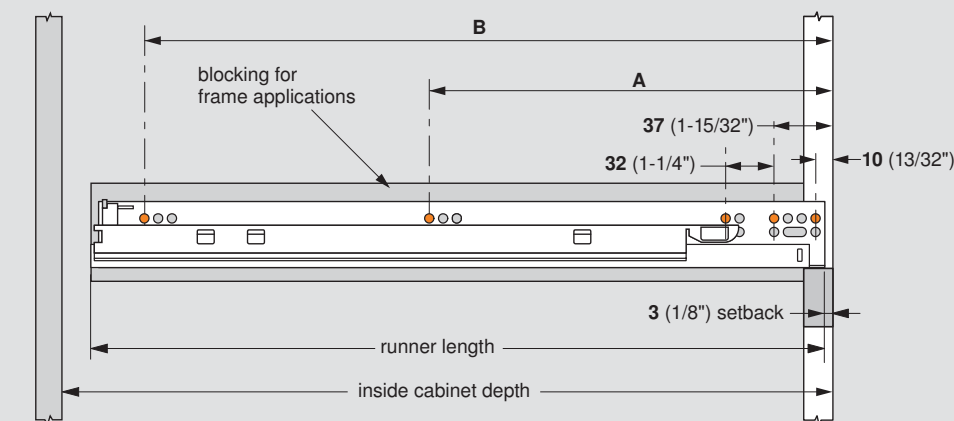


569.



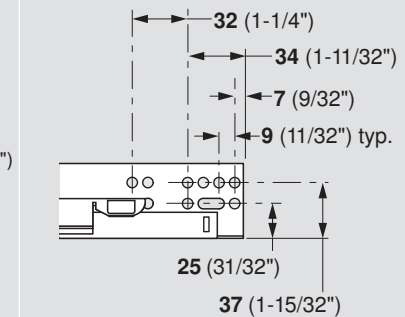
Runner mounting specifications

Side view



NOTE: The orange dots indicate fixing screw locations required to meet specified load ratings.

Runner close-up



NOTE: Elongated holes are for $\pm 4.5 (3/16)$ inch depth adjustment only. Additional screws must be used to secure the runner to the cabinet.

TANDEM plus BLUMOTION	drawer length	minimum inside cabinet depth	sunner length	screw locations	
				A	B
569H4570B	457 (18")	480 (18-29/32")	471 (18-17/32")	261 (10-9/32")	453 (17-27/32")
569H5330B	533 (21")	557 (21-15/16")	548 (21-9/16")	261 (10-9/32")	517 (20-11/32")
569.6100B	610 (24")	634 (24-31/32")	625 (24-19/32")	261 (10-9/32")	389 (15-5/16")
569.6860B	686 (27")	709 (27-29/32")	700 (27-9/16")	261 (10-9/32")	389 (15-5/16")
569.7620B	762 (30")	786 (30-15/16")	777 (30-19/32")	261 (10-9/32")	389 (15-5/16")