

TANDEM plus BLUMOTION 569H/569.

New side adjustment

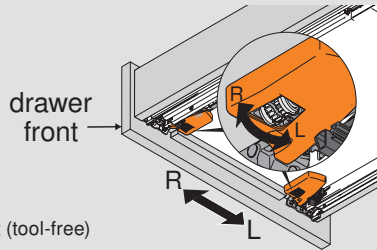
1. Rotate side adjustment left or right equally on both locking devices. Drawer front moves in the same direction as rotation.

with locking device

T51.19xx

Maximum 1.5 (1/16") to left or right (tool-free)

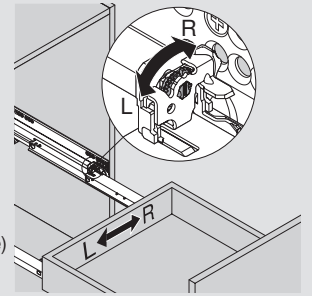
NOTE: Side adjustment not available on T51.18xx locking devices



New rear side adjustment

2. After front side adjustment is made with the locking devices, rotate the rear side adjustment left or right to re-align the back of the drawer box with the front. Drawer back moves in the same direction as rotation.

Maximum 1.5 (1/16") to left or right (tool-free)

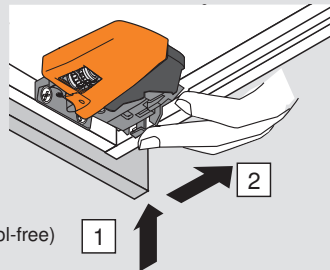


Height adjustment

1. Press up on adjustment tab
2. Push towards back of drawer

Maximum 3 (1/8") rise of drawer front (tool-free)

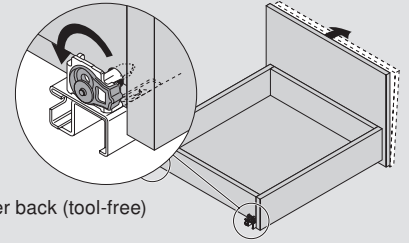
NOTE: Height adjustment available on all TANDEM locking devices



Tilt adjustment

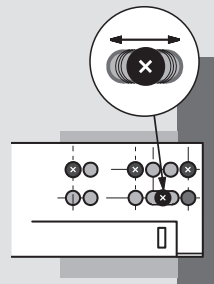
Rotate the tilt adjustment lever on the rear of each runner to tilt the top of the drawer front forward.

Maximum 5 (3/16") rise of drawer back (tool-free)



New depth adjustment on runner

TANDEM 569 runners feature elongated holes that allow +/- 4.5 (3/16") depth adjustment.

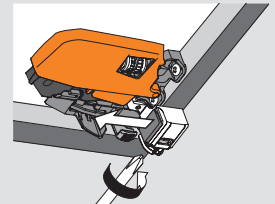


New depth adjustable locking device

Locking device

T51.1901.PS

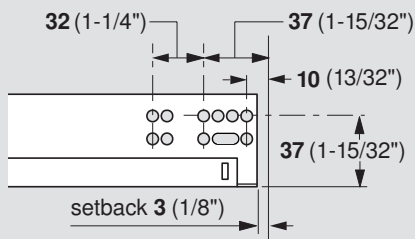
with side, height and depth adjustment



Turning the adjustment screw allows for up to a + 2.5 (3/32") out adjustment

NOTE: For T51.1901.PS setback in inset applications, see the TANDEM brochure

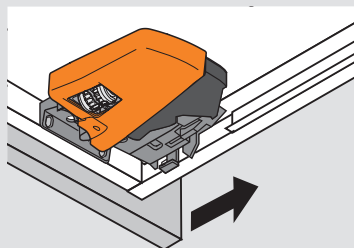
New profile setback



NOTE: Hole locations to the face of the cabinet stay the same. For inset applications see the TANDEM brochure

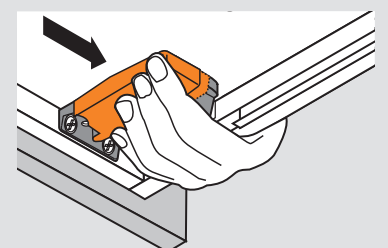
Drawer insertion

1. Place drawer on runners and close. Locking devices will automatically connect to runners.



Drawer removal

1. Squeeze orange handles on locking devices
2. Pull drawer straight out and up



See blum.com for complete technical specifications and installation instructions.

INST-TDM569H.03.12

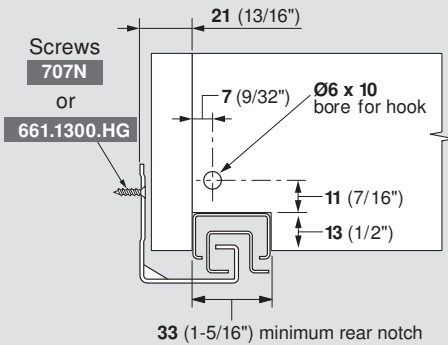
Subject to technical modifications without notice. © 2012 Blum, Inc.
BAU0026347372 INDR 4160936 MA-579/0EN TAND 569H/-B

blum®

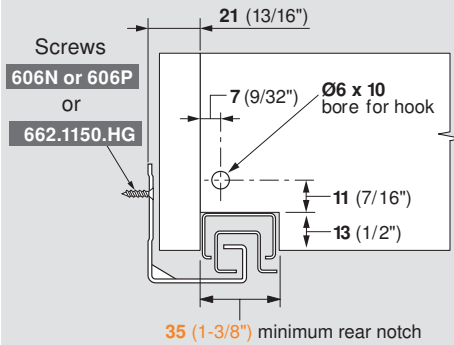
TANDEM plus BLUMOTION

Drawer preparation

568H/568. runners



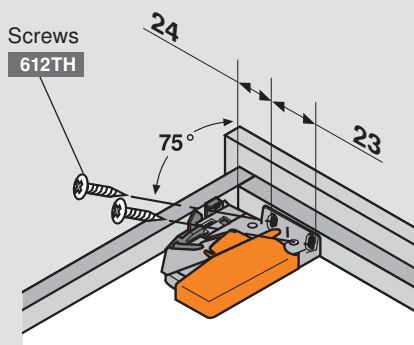
New 569H/569. runners



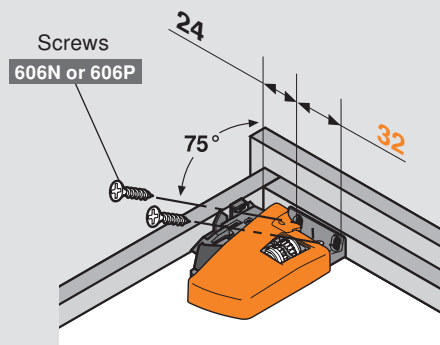
- No change to rear hook hole location, depth or diameter
- Rear notch width changes from **33 (1-5/16")** to **35 (1-3/8")**
- Mounting screws change from #7 head to #6 head wood or system screws

Locking devices

568 runners



New 569 runners



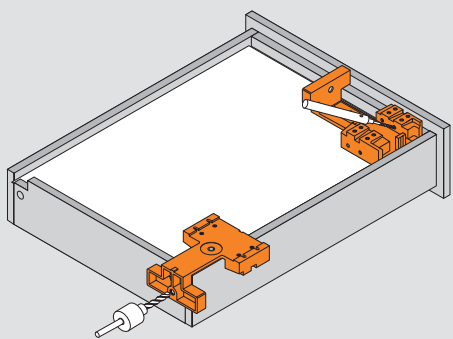
- **9 (11/32")** difference in mounting hole location
- Mounting screws change from #6 truss head screws to #6 flat head wood screws

Locking devices	Part no.	Part no.
	T51.17xx	Without side adjustment T51.18xx
		With side adjustment T51.19xx

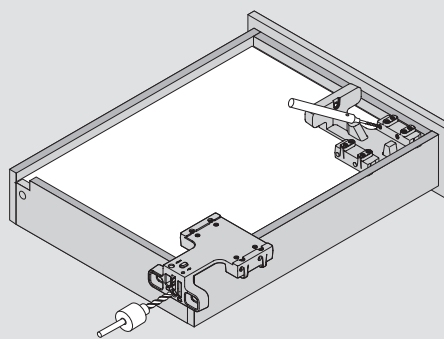
NOTE: T51.17xx locking devices cannot be used with new 569 runners. T51.18xx and T51.19xx locking devices cannot be used with 568 runners.

TANDEM template

568 runners



New 569 runners



- Color changes from orange to gray
- Hole locations change to accommodate new locking devices

562/568 template	Part no.	563/569 template	Part no.
	T65.1000.02		T65.1600