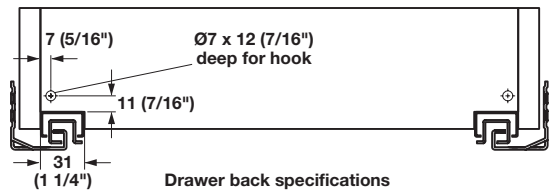
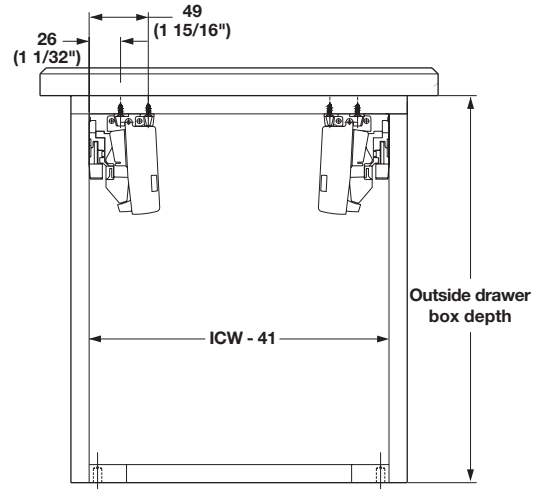


Full Extension

- Weight capacity: 35 kg (75 lbs./pair)
- For drawer material up to 16 mm (5/8")
- Integrated Soft and Silent mechanism
- Rear face frame mounting bracket available
- BHMA grade 1 tested



soft&silent



Side Mounted

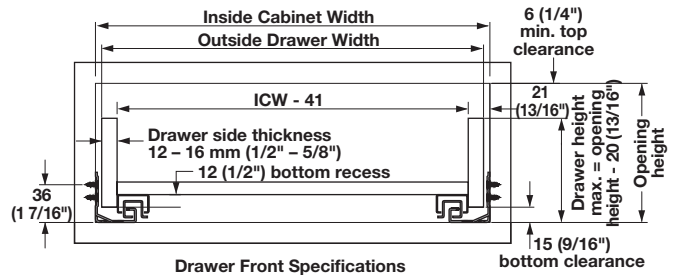
Material: Steel, galvanized

Side profile length	Outside Drawer Box Depth 16 mm Side Material	Screw Locations for Side Panel Mounting		Item No.
		A	B	
317 (12 1/2")	305 (12")	165 (6 1/2")	261 (10 1/4")	433.10.301
393 (15 1/2")	381 (15")	165 (6 1/2")	357 (14 1/16")	433.10.303
469 (18 7/16")	457 (18")	261 (10 1/4")	453 (17 3/16")	433.10.305
545 (21 7/16")	533 (21")	261 (10 1/4")	517 (20 3/8")	433.10.307

Formula for calculating outside drawer width

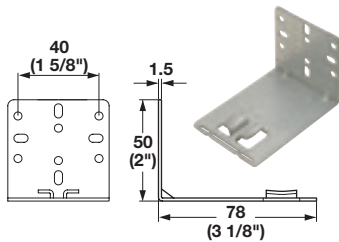
For drawer side thickness	16 (5/8")	15 (19/32")	14 (9/16")	13 (1/2")	12 (15/32")
Deduct from inside cabinet width	10 (3/8")	12 (15/32")	14 (9/16")	16 (5/8")	18 (23/32")

Example: For 21" inside cabinet width and 5/8" drawer sides; 21" minus 3/8" = 20 5/8" outside drawer dimension.



8

Dimensional data not binding. We reserve the right to alter specifications without notice.



Face Frame Mounting Brackets

Material: Steel

Finish	Item No.
zinc-plated	421.38.010



Quick Mount Disconnect Levers

Material: Mounting plate: Zinc die-cast
Lever: Plastic; Color: gray
Spacer: Plastic; Color: white

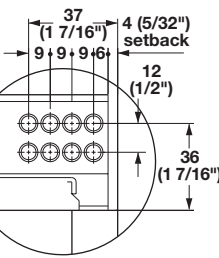
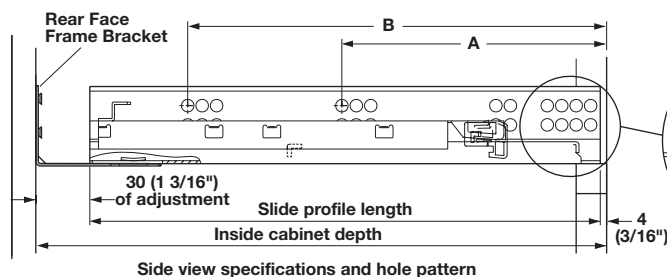
Item No.
421.38.000

Supplied With
2 spacers for 1/2" drawer sides



Note

When using 1/2" drawer side material, a 1/8" spacer (supplied) must be applied to the front between the clip and the drawer.



Flat head screws
Varianta screws

Pages 11.137–11.138, 11.140
Page 11.146