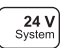


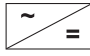
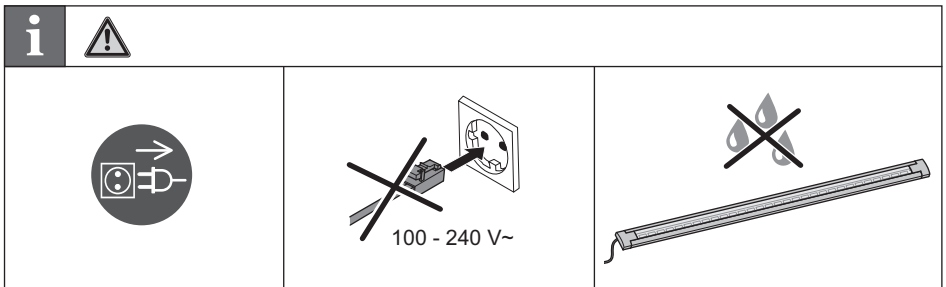
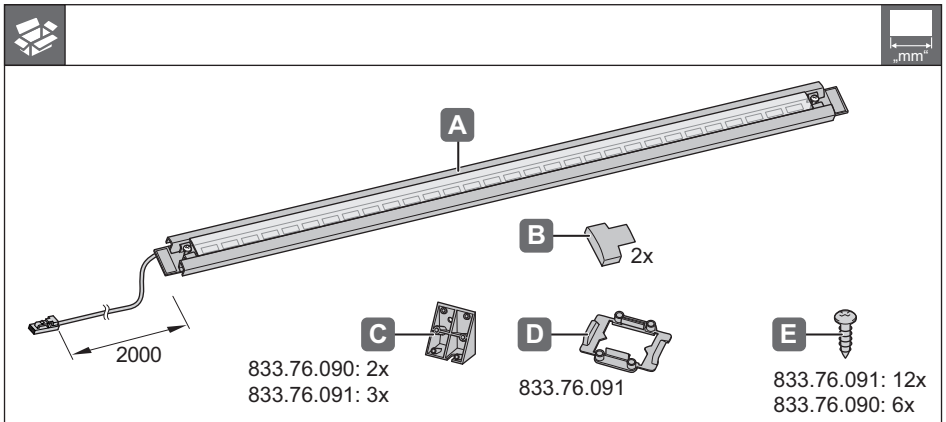




LED 3019

833.76.090
833.76.091

	K	W	T_A			
833.76.090	4000 K	11.5 W	-20 °C – +35 °C -4 °F – +95 °F	512 x 40 x 13	≥ 522 x 50 x 23	833.77.900
833.76.091		19.0 W		812 x 40 x 13		833.77.912
						833.77.913
						833.77.914
						833.77.915



HDE 30.11.2012

732.28.282

