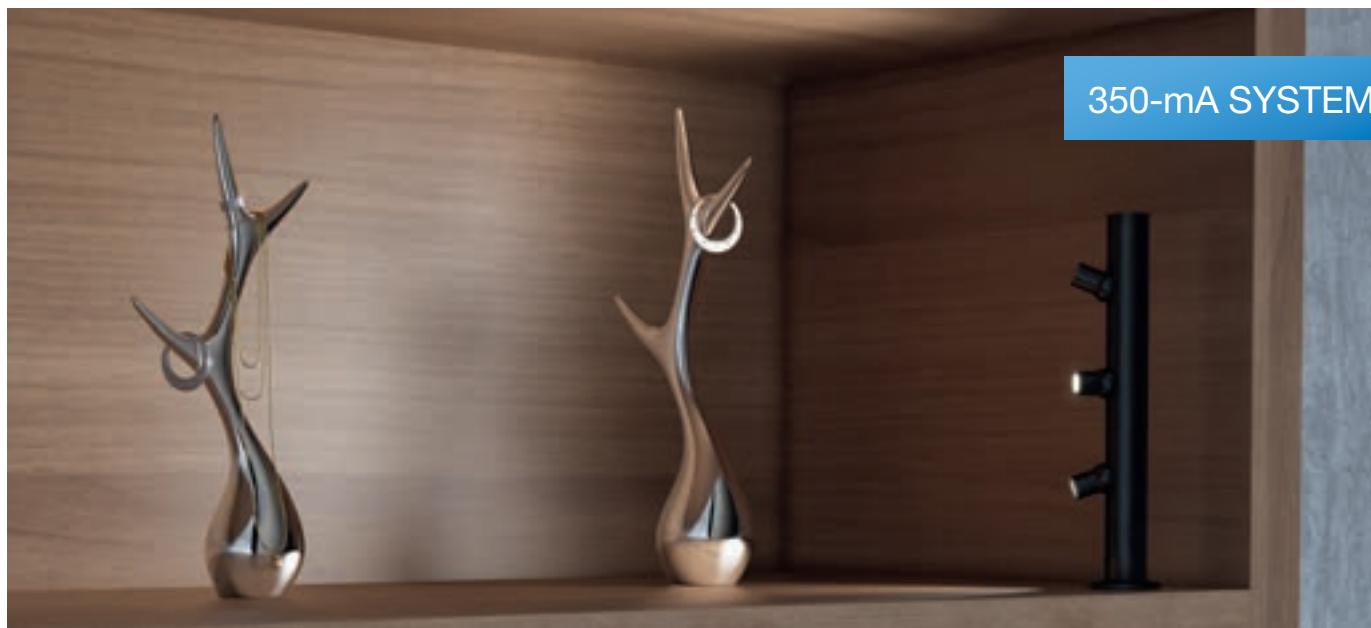


LOOX LED 4010

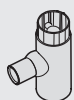
MODULAR SURFACE MOUNTED STACK LIGHT



The LED 4010 can be individually adapted to requirements due to its modular configuration with rotary and swivelling LED modules and the special design. The basic set can be optionally extended.



- > Dimmable
- > 1 light can be extended to max. 8 LED modules and 4 spacers



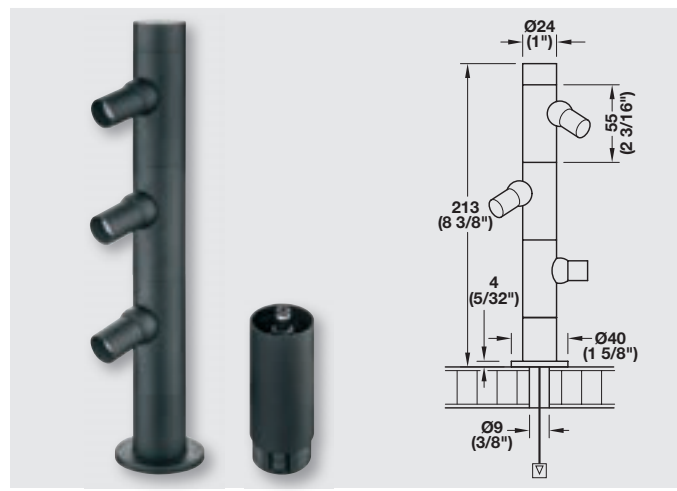
- > LED module
Length: 72.5 mm (2 3/4"); Wattage: 1 W
Item No. 833.80.011 SRP \$60.00



- > Spacer, length: 72.5 mm (2 3/4")
Item No. 833.80.012 SRP \$20.00



- > Driver see page 79



Item No.	833.80.010
SRP	\$190.00
Light color (K)	4000 (cool white)
Ø x Length	24 x 214 (1" x 8 27/64")
Wattage (W)	3
Number of LEDs	3 (1 per module)
Light output (Lm)	213 (71 per module)
Efficacy (Lm/W)	71
Color rendering index (CRI)	85
Material/Finish	Aluminum, black
Supplied with	3 LED modules, Base module 2 m (78 3/4") lead

