

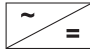


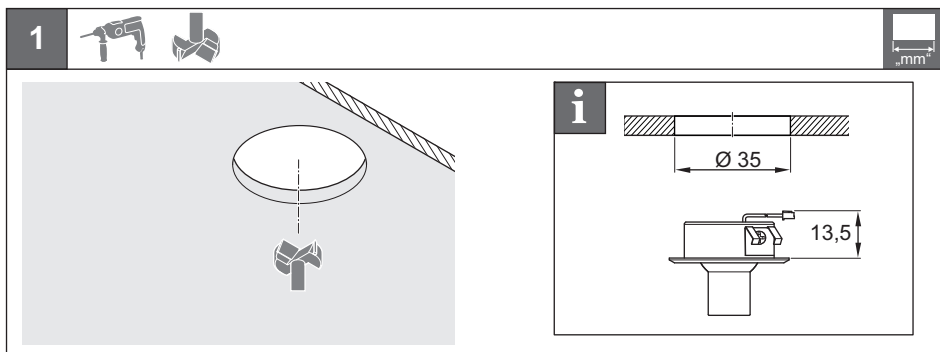
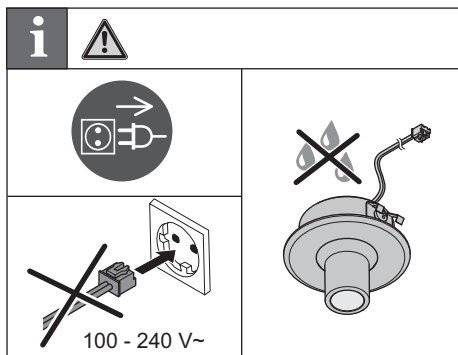
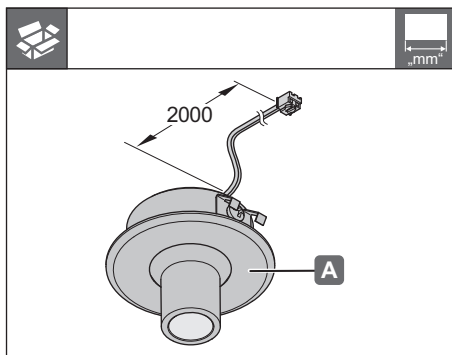




LED 4012

833.78.050
833.78.051
833.78.052
833.78.053

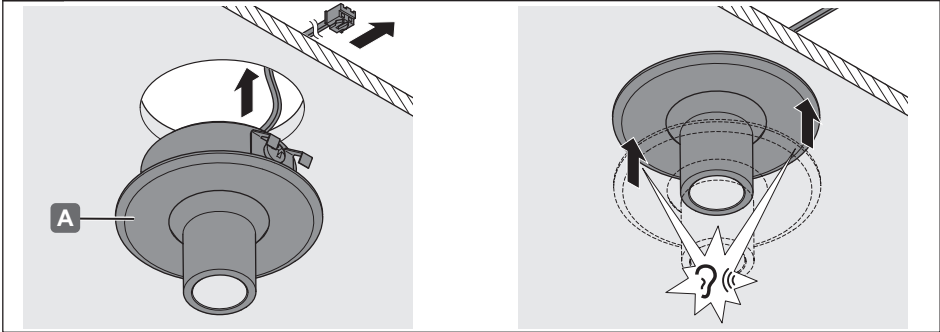
350 mA System		K	W	T _A	 mm	 mm	
	833.78.050	4000 K	1.0 W	-20 °C – +35 °C -4 °F – +95 °F	Ø 39 x 31	≥ Ø 49 x 41	833.80.900 833.80.901
	833.78.051	6000 K					
	833.78.052	4000 K					
	833.78.053	6000 K					



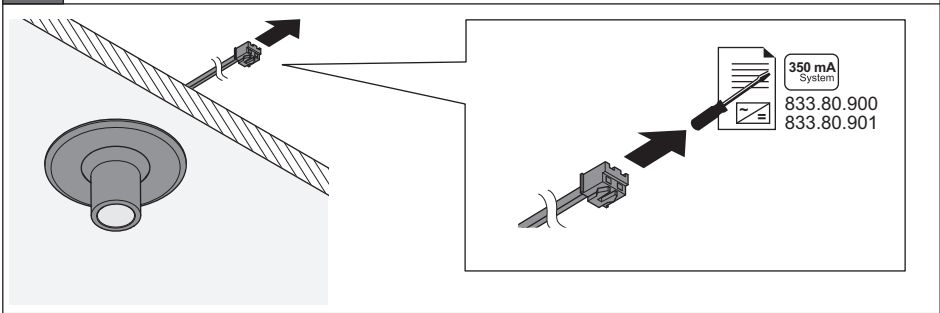
HDE 30.11.2012

732.28.277

2



3



i

