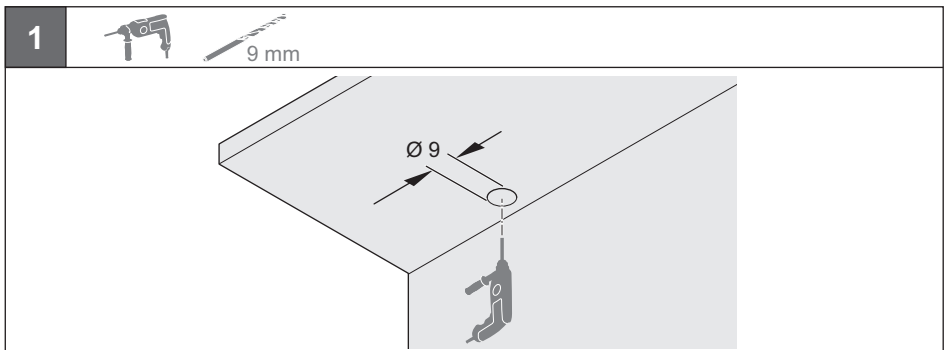
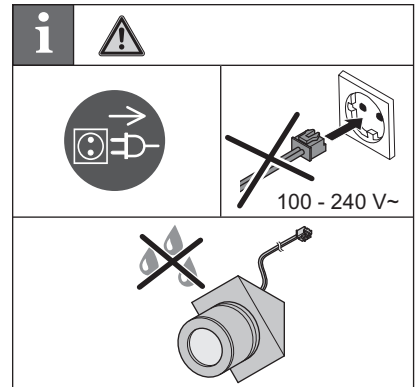
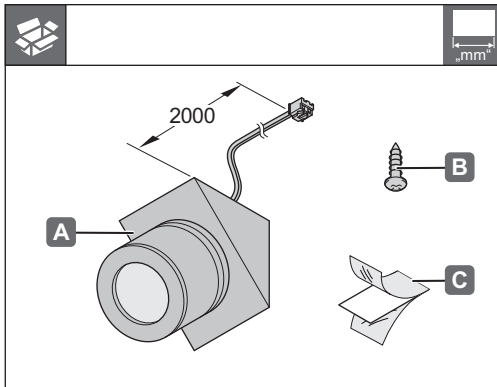




LED 4013

833.79.060
833.79.061
833.79.062
833.79.063

350 mA System	K	W	T _A	mm	mm	=
833.79.060 833.79.062	4000 K	1.0 W	-20 °C – +35 °C -4 °F – +95 °F	33 x 22 x 42	≥ 43 x 32 x 52	833.80.900 833.80.901
833.79.061 833.79.063	6000 K					



HDE 30.11.2012

732.28.275

