

LOOX LED 4013

SURFACE MOUNTED SPOTLIGHT FOR CORNER APPLICATION



350-mA SYSTEM



The LED 4013 is distinguished by its compact design, high light intensity and swivelling light head.

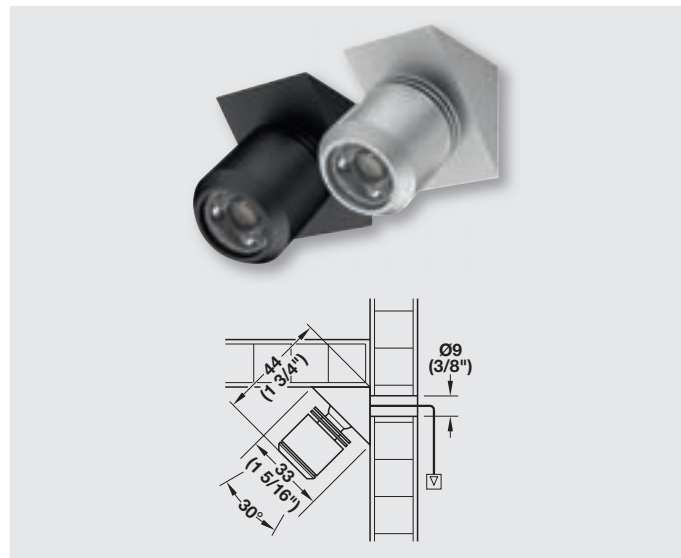


- > Dimmable
- > Space saving and inconspicuous
- > Two installation types:
Glue mounting or screw mounting



- > Driver see page 79

Item No.	833.79.060	833.79.062	833.79.061	833.79.063
SRP	\$36.00	\$36.00	\$36.00	\$36.00
Light color (K)	4000 (cool white)		6000 (daylight white)	
Length	33 (1 5/16")			
Width	22 (7/8")			
Height	42 (1 11/16")			
Wattage (W)	1			
Number of LEDs	1			
Light output (Lm)	64		71	
Efficacy (Lm/W)	64		71	
Color rendering index (CRI)	87		85	
Material	Aluminum			
Finish	silver col. anodized	black	silver col. anodized	black
Supplied with	2 m (78 3/4") lead, Mounting accessories			



4000 K	6000 K	21°	
2500 lx	2800 lx		250 (9 13/16")
1500 lx	1600 lx		500 (19 11/16")
500 lx	585 lx		750 (29 1/2")
150 lx	287 lx		1000 (39 3/8")