



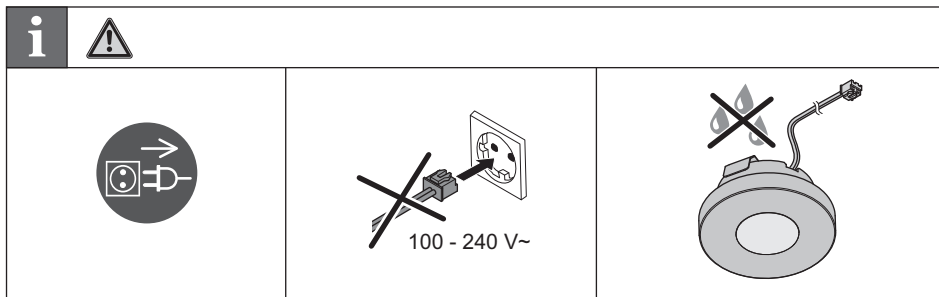
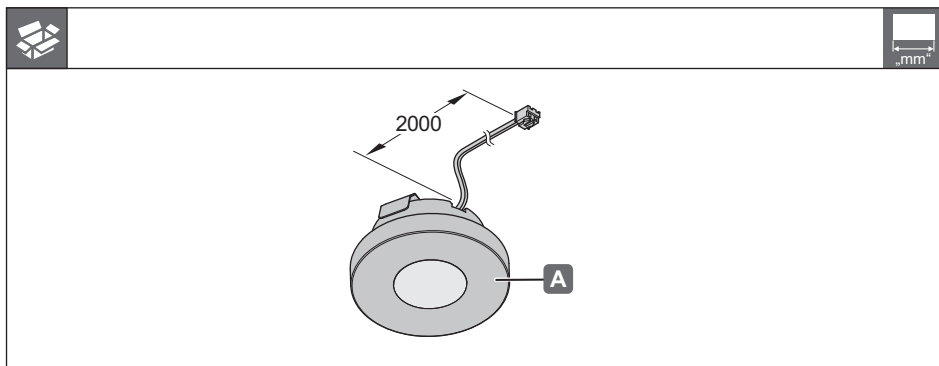




LED 4014

833.78.060
833.78.061

	K	W	T_A	 mm	 mm	
833.78.060	4000 K	1.0 W	-20 °C – +35 °C -4 °F – +95 °F	Ø 40 x 20	≥ Ø 50 x 30	833.80.900 833.80.901
833.78.061	6000 K					



HDE 13.11.2012

732.28.276

