



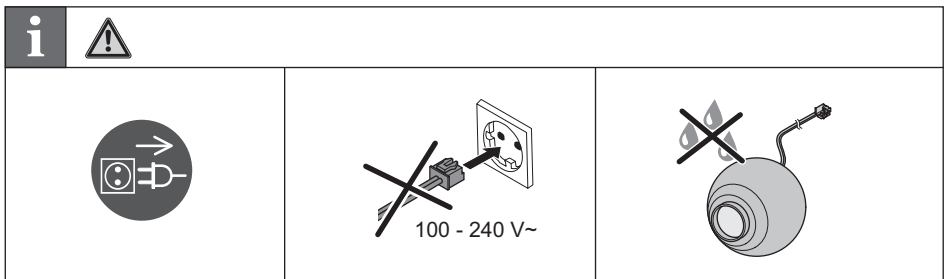
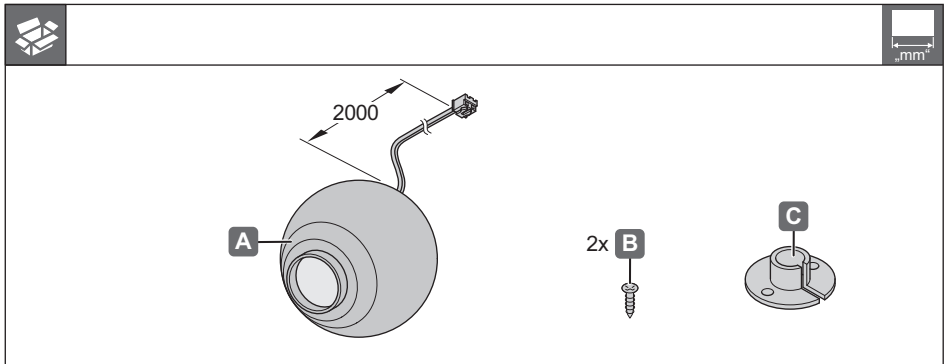




LED 4015

833.79.070
833.79.071
833.79.072
833.79.073

350 mA System	K	W	T _A	mm	mm	
833.79.070  833.79.072 	4000 K	1.0 W	-20 °C – +35 °C -4 °F – +95 °F	Ø 35 x 31	≥ Ø 45 x 41	833.80.900 833.80.901
833.79.071  833.79.073 	6000 K					



HDE 28.11.2012

732.28.274

