



# MOV™

## Soft Close Full Extension Undermount Drawer Slide

MOV's fully integrated soft close mechanism features the perfect balance of opening force and closing speed to ensure consistent positive closure. With a long dampening stroke (2-1/4" on 18" and larger slides), the hydraulic cylinder helps glide the drawer closed and eliminates the drawer "bounce" common to air-filled cylinders. The mechanism can be removed and replaced independently of the slide.

MOV's extended size offering gives cabinetmakers complete flexibility, including the ability to create deeper drawer boxes in standard cabinet configurations. By using MOV undermount slides, up to 2 full inches of additional drawer box depth can be built into the cabinet. In addition, integrated cassette rollers stabilize content load and eliminates drawer sag when in the closed position. Inset drawers stay perfectly aligned and true.

Like all KV Drawer Slides, MOV is designed to meet or exceed ANSI performance standards as established by BHMA, BIFMA, and KCMA and is backed by a Limited Lifetime Warranty.

### PRODUCT ATTRIBUTES

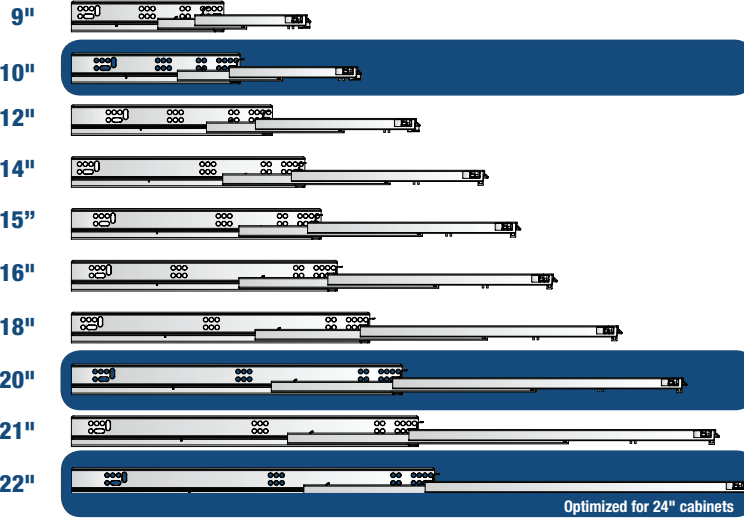
- Available in two models to handle drawer box material up to 3/4" thick
- Stabilizing cassette rollers keep closed drawer fronts aligned and true
- Hydraulic soft-close cylinder eliminates drawer "bounce-back"
- Industry standard 32mm mounting hole pattern
- Elongated front and rear mounting holes for fast adjustment
- Extended slide size offerings can accommodate deeper drawer box sizes in standard cabinet configurations
- Backed by the exclusive Knappe & Vogt Limited Lifetime Warranty



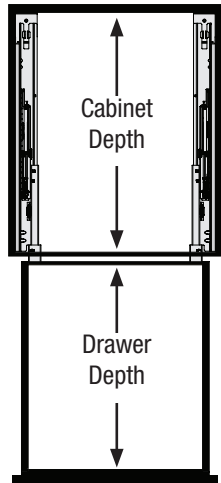
KNAPPE & VOGT

## SIZE CHART

MUV  
MUV34



## DRAWER DEPTH CHART



Cabinet Depth	Competitor Slide Length	MUV Slide Length	Drawer Depth Gain
12"	9"	9"	
12"	N/A	10"	+1"
15"	12"	12"	
15"	N/A	14"	+2"
18"	15"	15"	
18"	N/A	16"	+1"
21"	18"	18"	
21"	N/A	20"	+2"
24"	21"	21"	
24"	N/A	22"	+1"

## SPECIFICATIONS

**models** **MUV** — Up to 5/8" Drawer Material Thickness  
**MUV34** — Up to 3/4" Drawer Material Thickness

**mounting** Undermount

**travel** Full Extension

**load rating** 75-Pound Class

**height** 1-7/8"

**finish** Galvanized (GALV)

**additional features**

- All MUV slide lengths 18" or longer feature true full drawer access
- Soft close mechanism is field removable/replaceable
- Elongated front and back mounting holes make fine-tuning quick and simple
- Ergonomic front release brackets feature tool-free adjustment

**sizes** 9", 10", 12", 14", 15", 16", 18", 20", 21", 22"

**packaged** Bulk (B): 6 sets/carton. Release levers included (14"+).  
Bulk (B): 4 sets/carton. Release levers included (9", 10", 12").  
OEM (LG): 270 Sets on multiple skids. (18", 20", 21", 22" only)

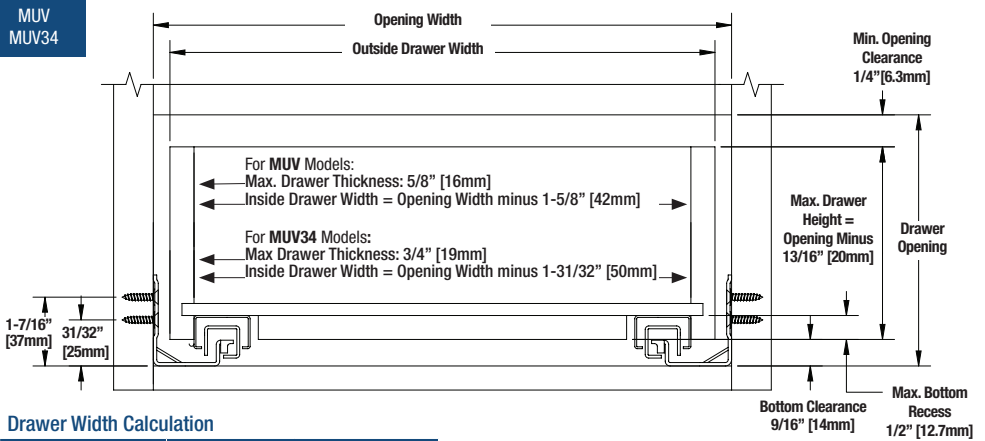
**rear mounting brackets** **MUV-RBM** Rear Mounting Bracket for 14" and longer MUV and MUV34. 12 per Carton.  
**MUV-RBP** Rear Mounting Bracket for 9", 10" and 12" MUV and MUV34. 8 per Carton (4 Right Hand & 4 Left Hand).

**drill jig** **MUV-121** Slide Drill Jig

**fasteners** **MUV-122:** #7 x 5/8" Phillips Flathead Screws: Drawer Slide  
**MUV-123:** #6 x 1/2" Phillips Flathead Screws: Front Release Levers

## INSTALLATION

MUV  
MUV34

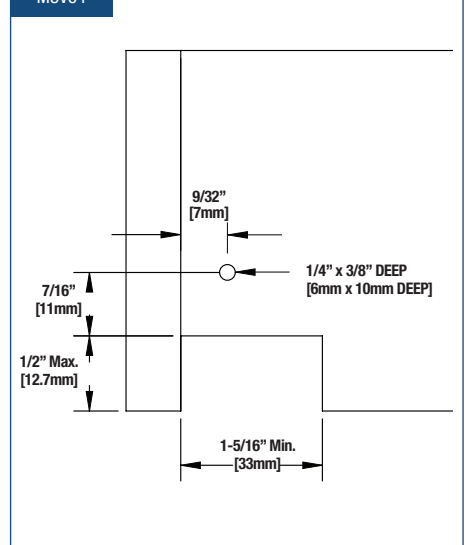


### Drawer Width Calculation

Drawer Thickness	Deduct from Opening Width	
	MUV	MUV34
3/4" [19mm]	N/A	15/32" [12mm]
11/16" [17.5mm]	N/A	19/32" [15mm]
5/8" [16mm]	3/8" [10mm]	23/32" [18mm]
9/16" [14mm]	9/16" [14mm]	N/A
1/2" [13mm]	5/8" [16mm]	N/A

MUV  
MUV34

### Drawer Notch & Bore



KNAP & VOGT

2700 Oak Industrial Drive NE  
Grand Rapids, MI 49505 USA  
800.253.1561 • www.kv.com

OL2223/0713

© 2013 Knap & Vogt US Patent 8,430,567