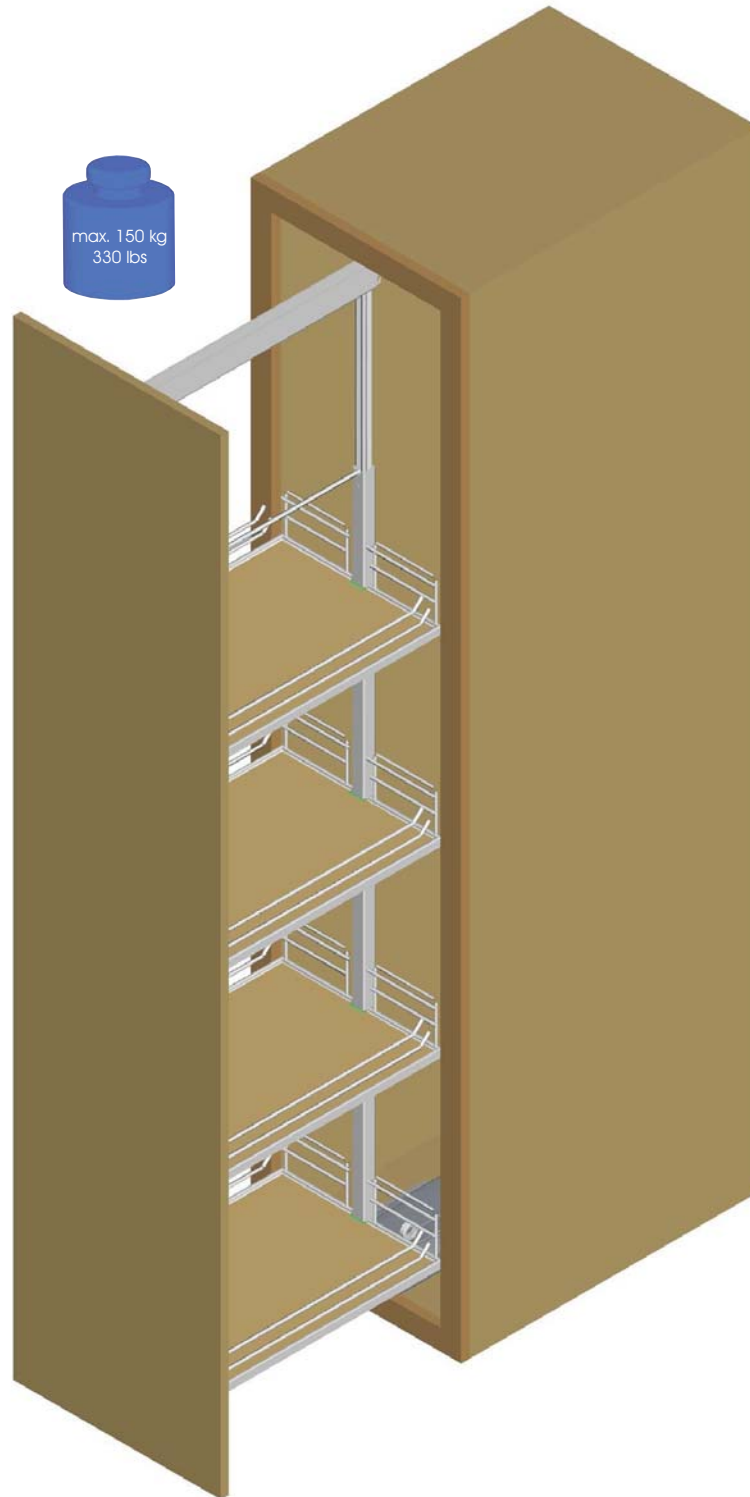
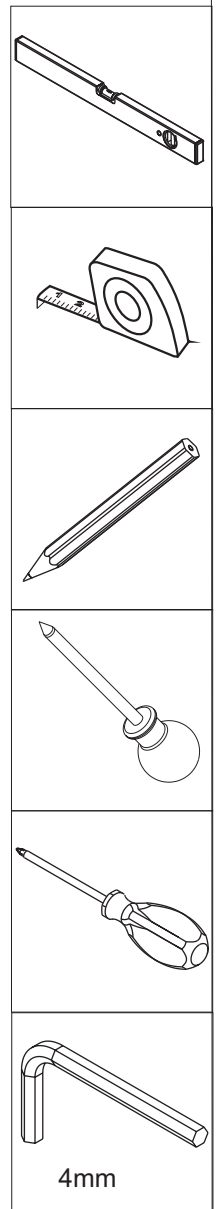


Mounting Instruction

Dispensa Pantry pullout



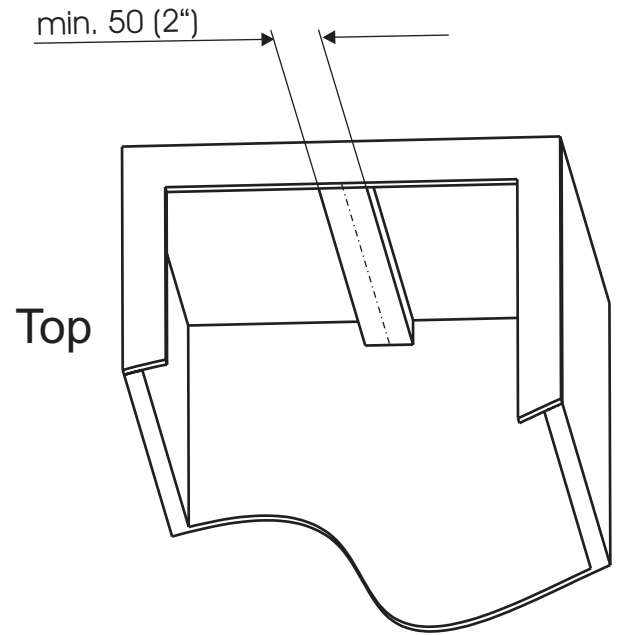
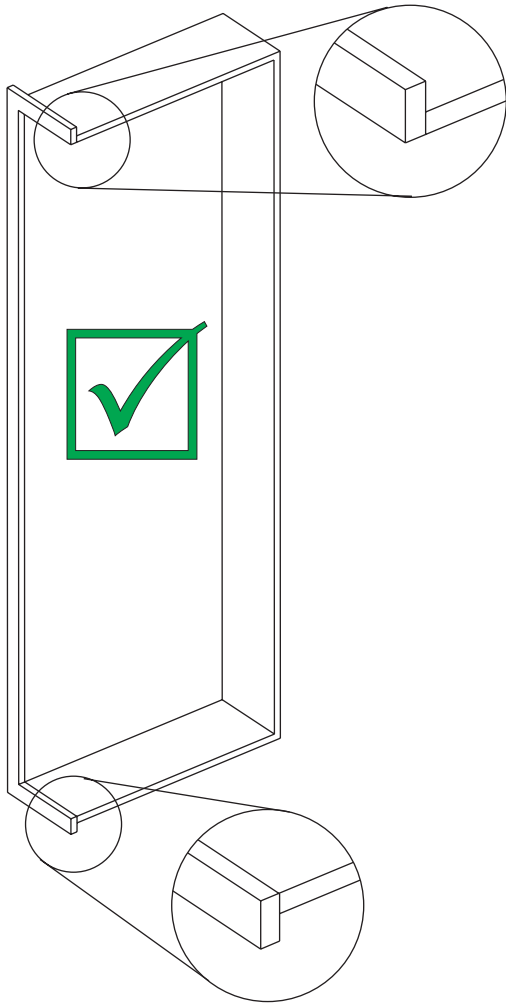
max. 150 kg
330 lbs



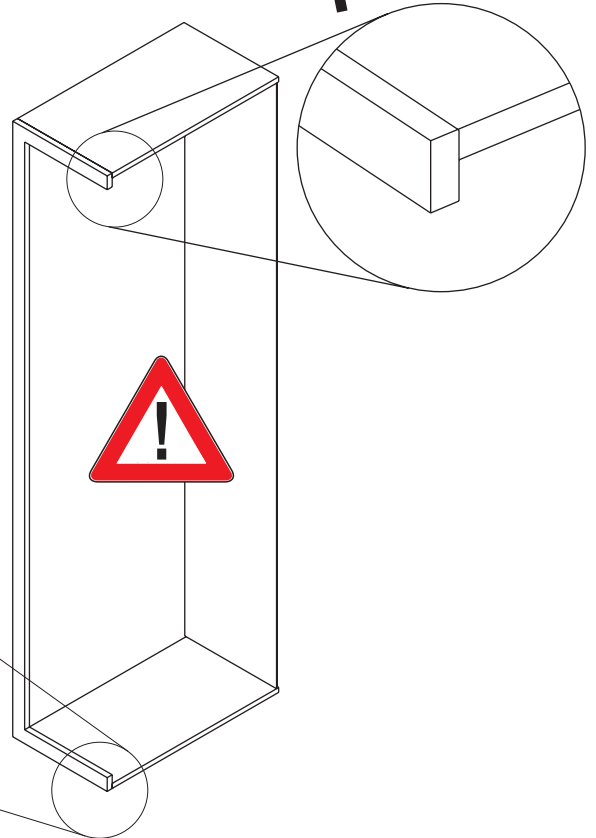
fasteners are not included

use 8x	use 12x
pan head	countersunk

Cabinet Construction



Use
Spacer

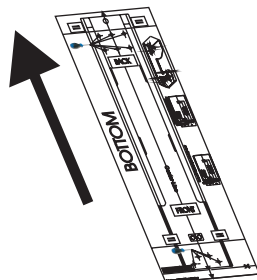
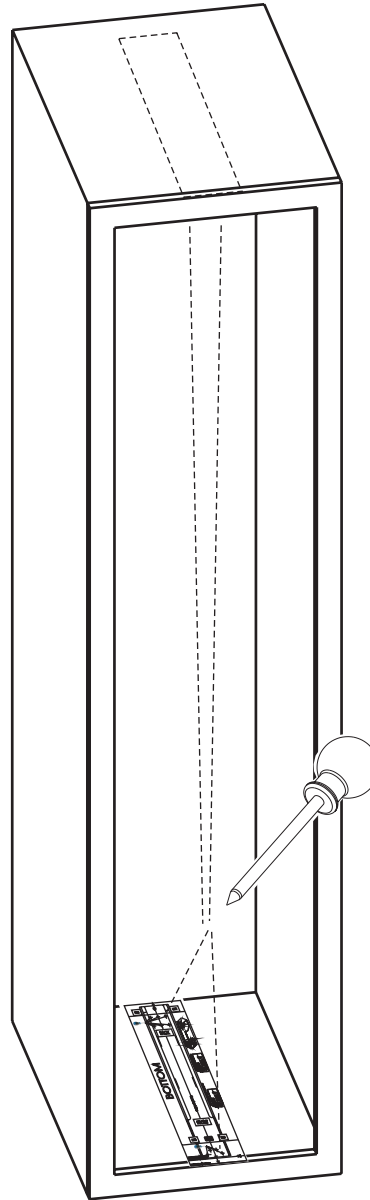
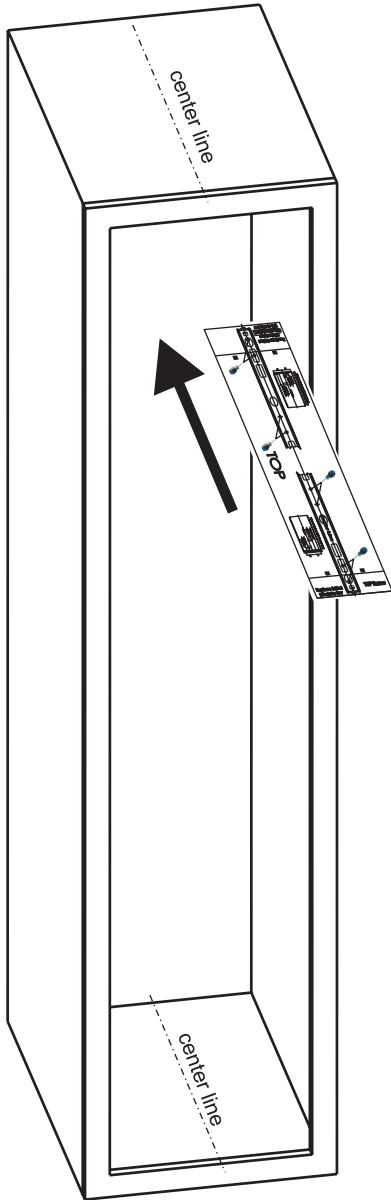
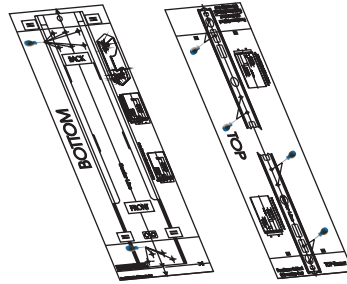


max. 7 (1/4")

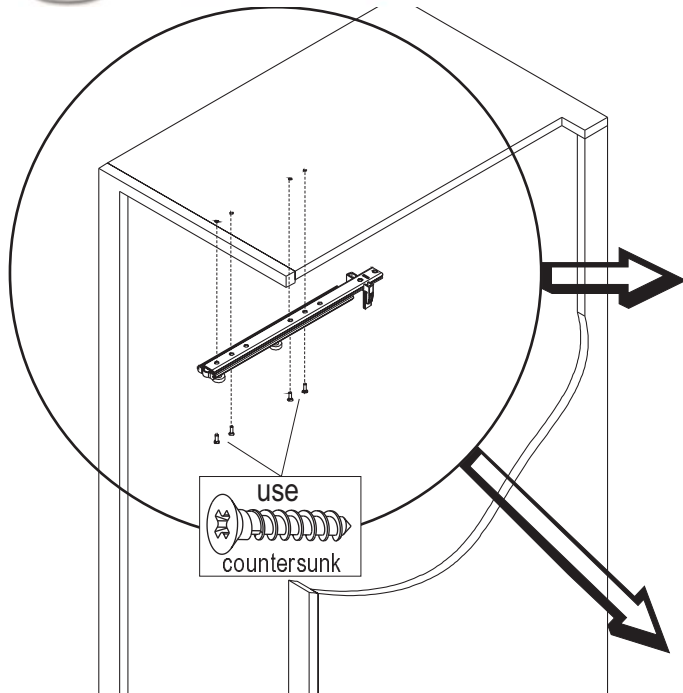
Dimensions in mm
Inches are approximate

1 Drilling positions

Use mounting template

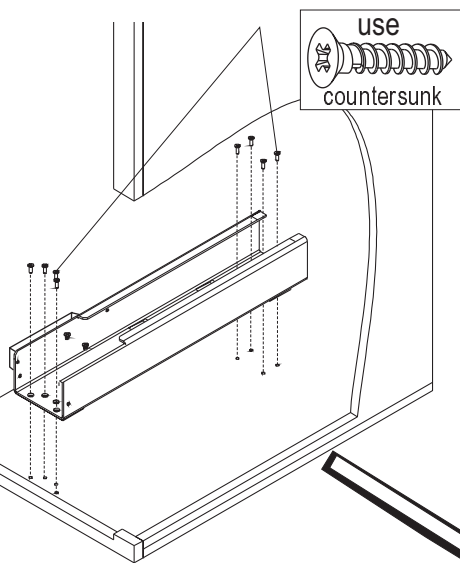


Dimensions in mm
Inches are approximate



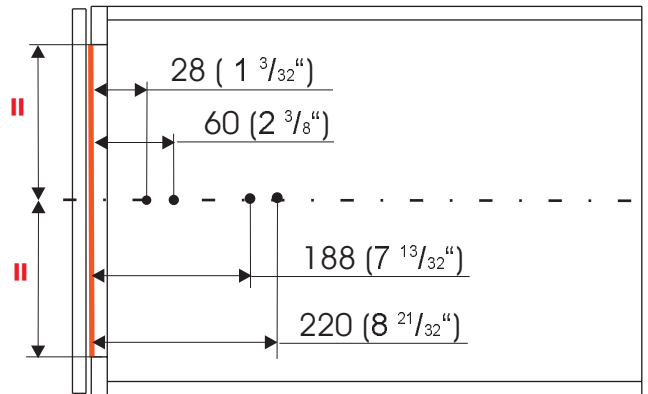
USE
countersunk

Use flat countersunk head screw
min. $\varnothing 4.5$ ($3/16''$)

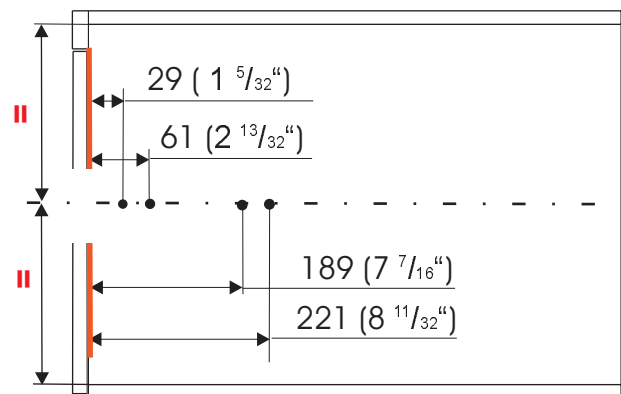


USE
countersunk

Mount Top Slide Framed Cabinet with Overlay door

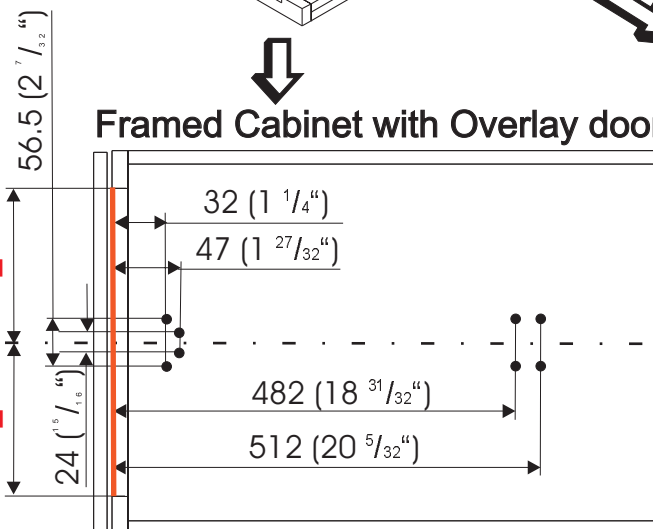


Framed Cabinet with Inset door Frameless Cabinet with overlay door

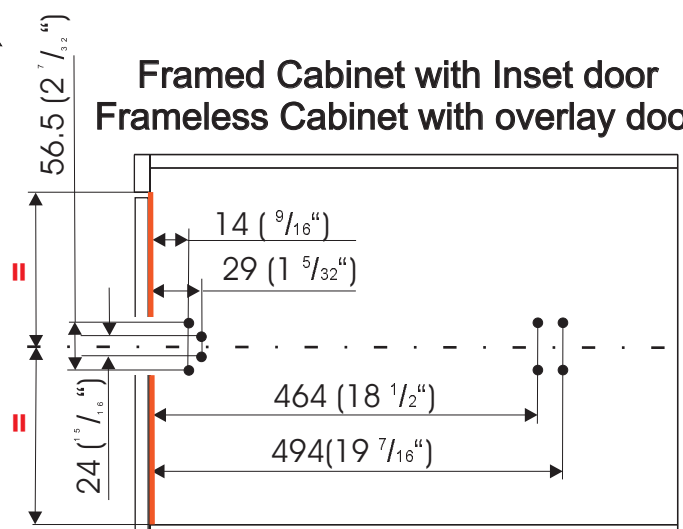


Mount Bottom Slide (Base Component)

Framed Cabinet with Overlay door

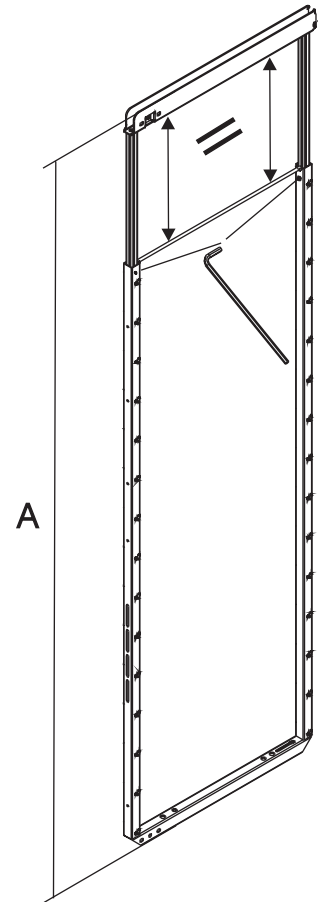
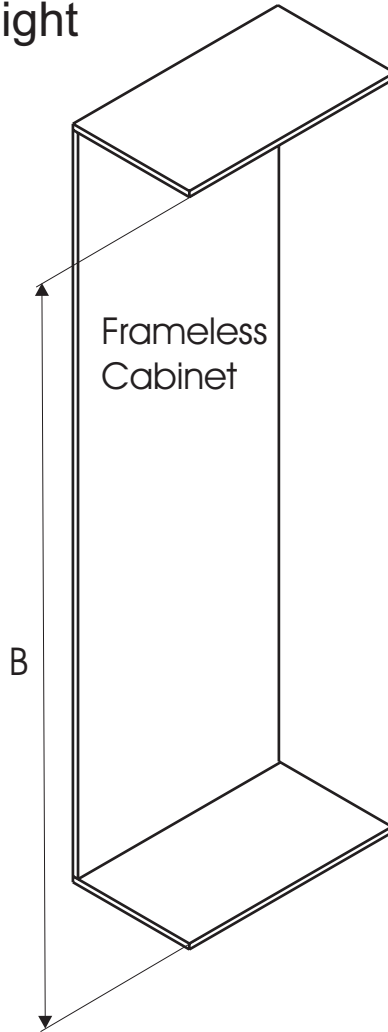
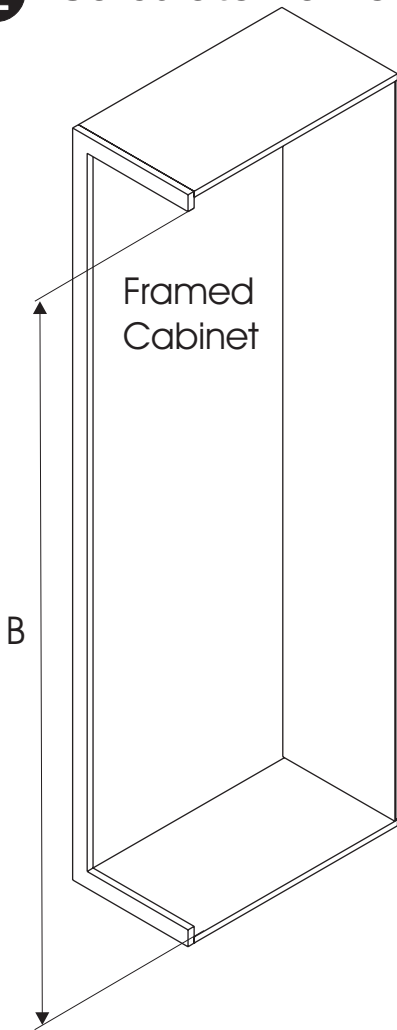


Framed Cabinet with Inset door Frameless Cabinet with overlay door



Dimensions in mm
Inches are approximate

2 Calculate frame height

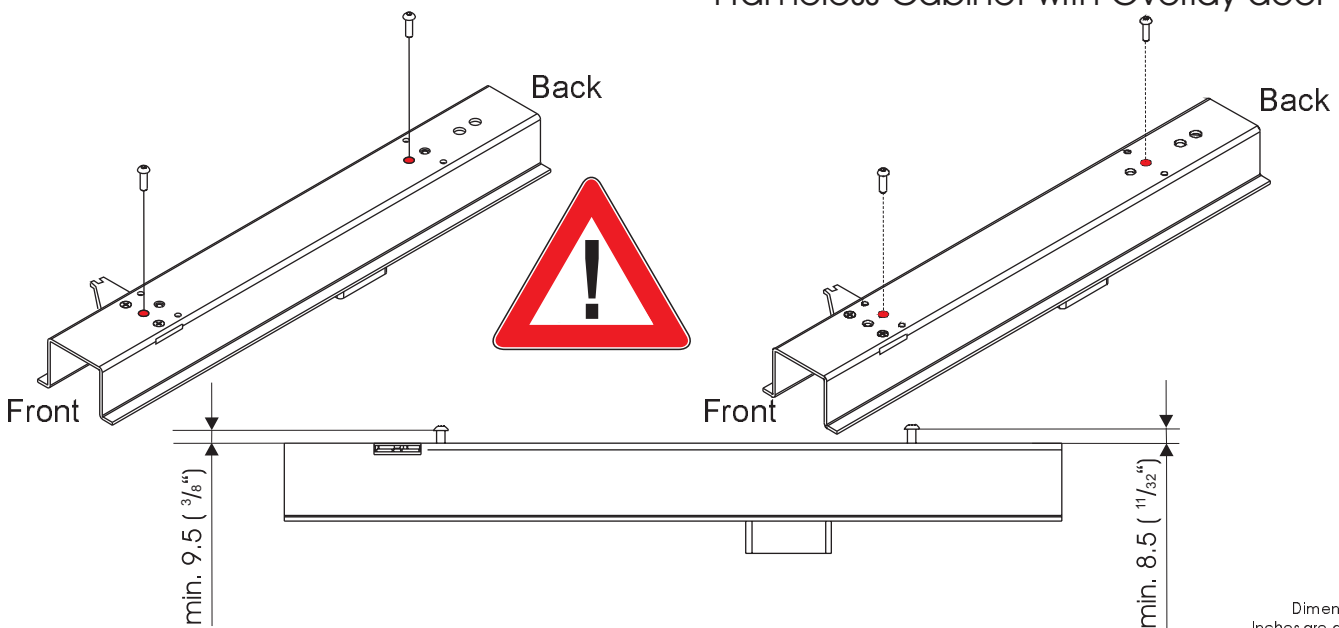


$A = B - 115 (4 \frac{1}{2}'')$
 $A = \underline{\hspace{2cm}}$

3 Position fixing screws to proper location

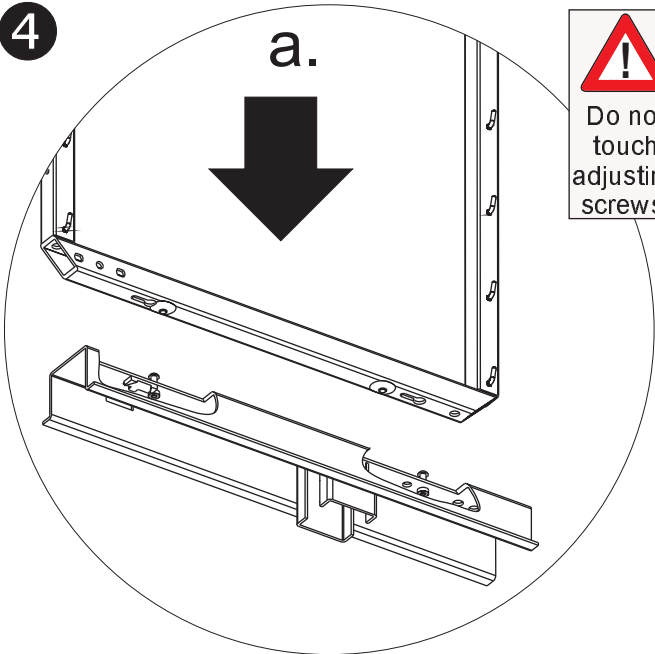
Framed Cabinet with Overlay door

Framed Cabinet with Inset Door
 Frameless Cabinet with Overlay door

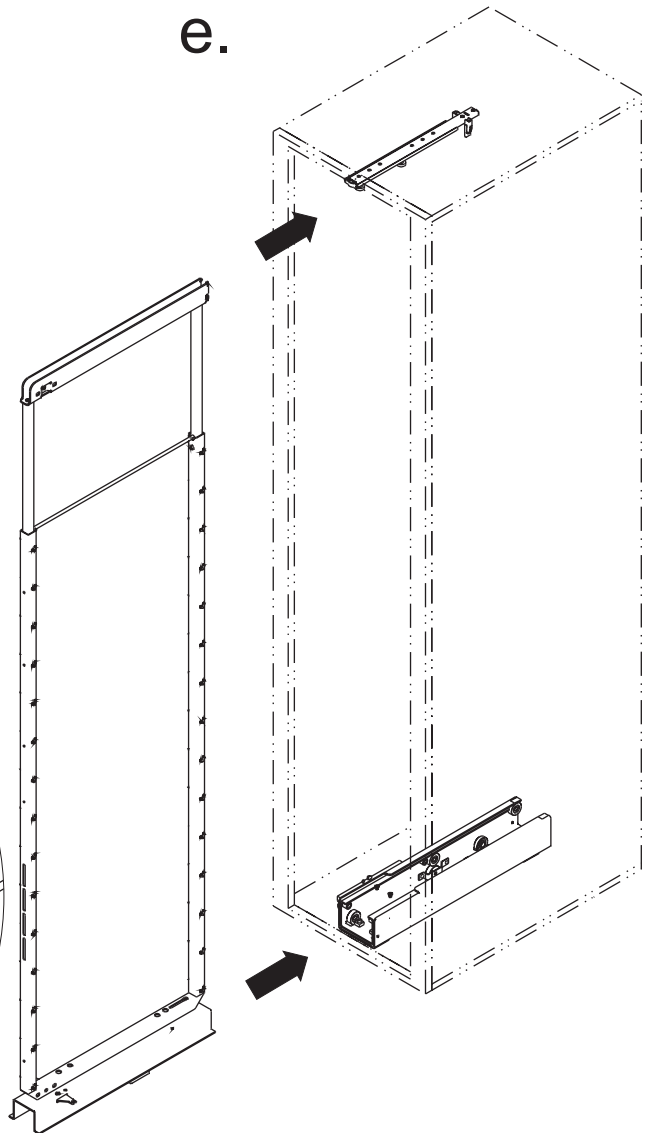
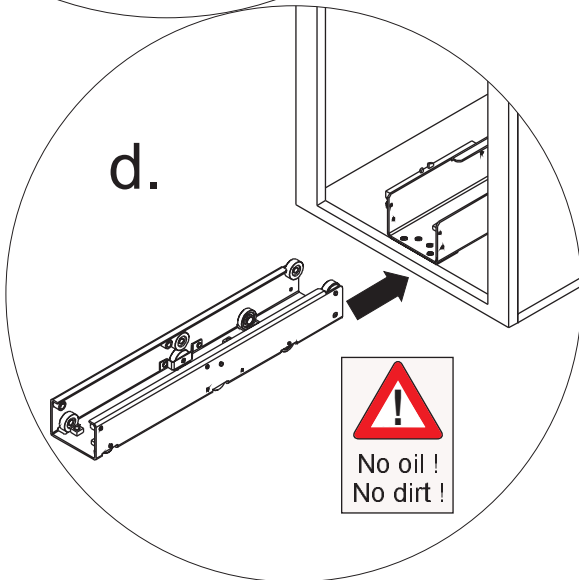
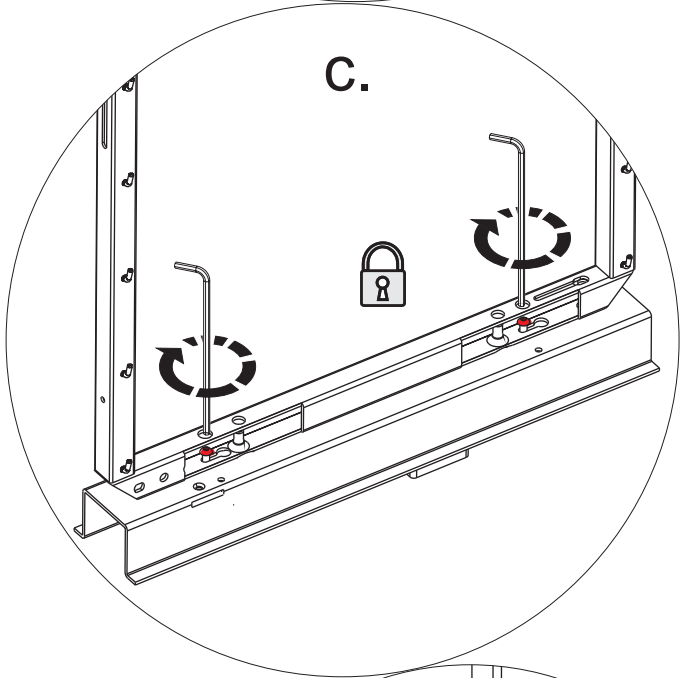
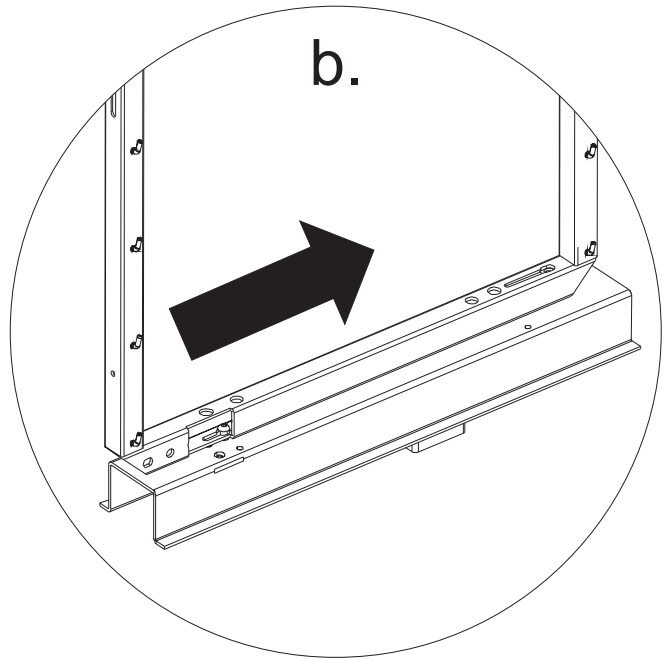


Dimensions in mm
 Inches are approximate

4




Do not touch adjusting screws!

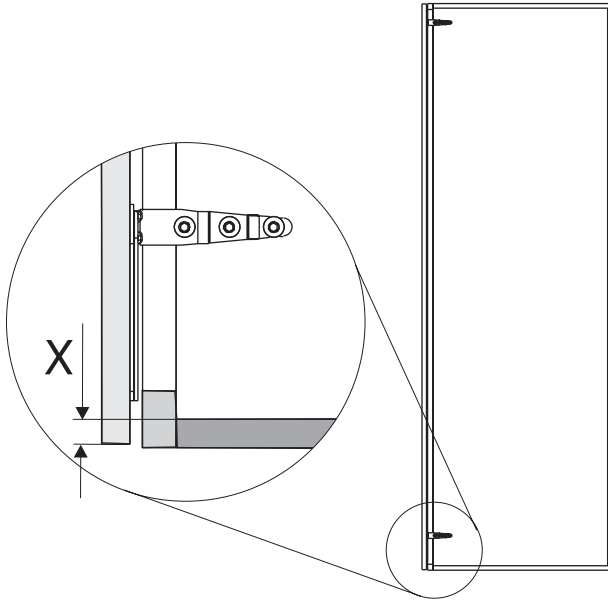


Dimensions in mm
Inches are approximate

5 Mounting of door brackets

Mount bottom brackets first!

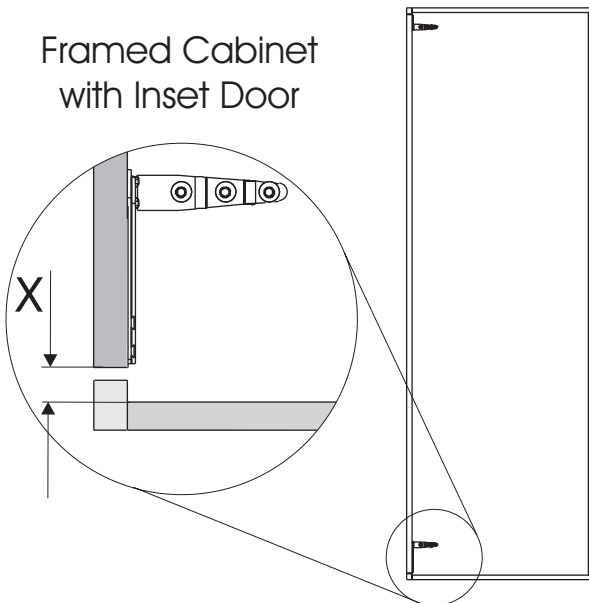
Framed Cabinet with overlay door
 Frameless Cabinet with overlay door



$$Z = 17.5 \left(\frac{11}{16} \right) + X$$

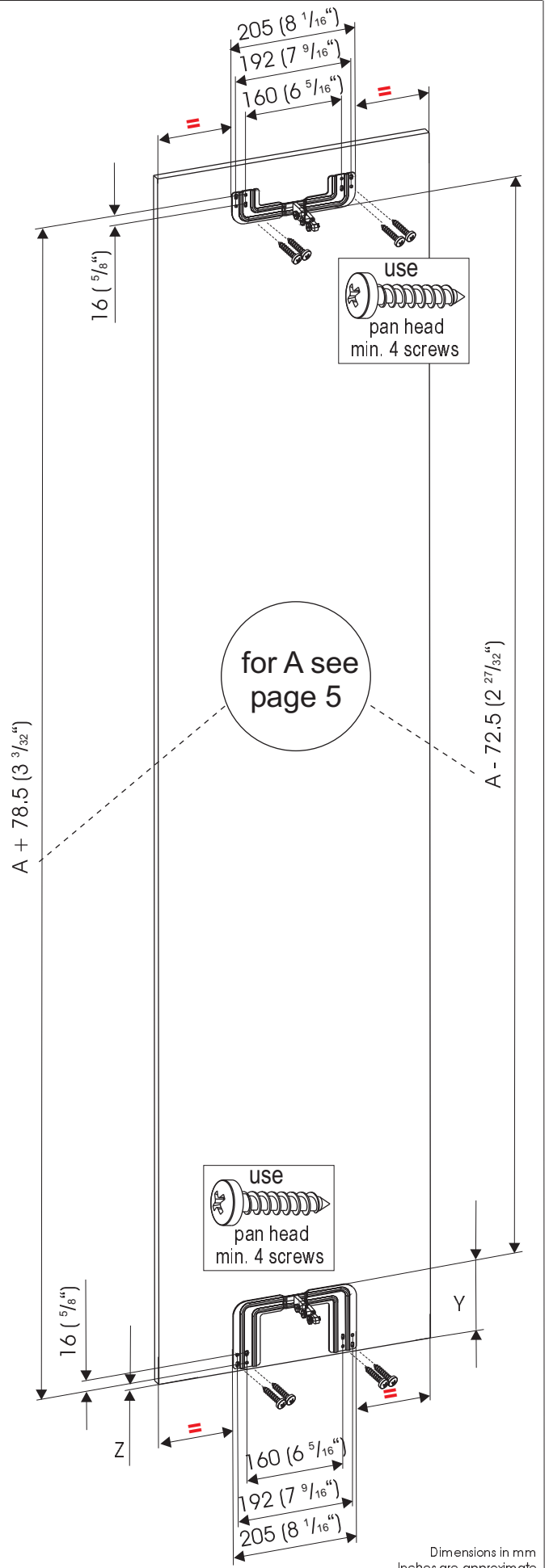
$$Y = 120.5 \left(4 \frac{3}{4} \right) + X$$

Framed Cabinet
 with Inset Door



$$Z = 17.5 \left(\frac{11}{16} \right) - X$$

$$Y = 120.5 \left(4 \frac{3}{4} \right) - X$$

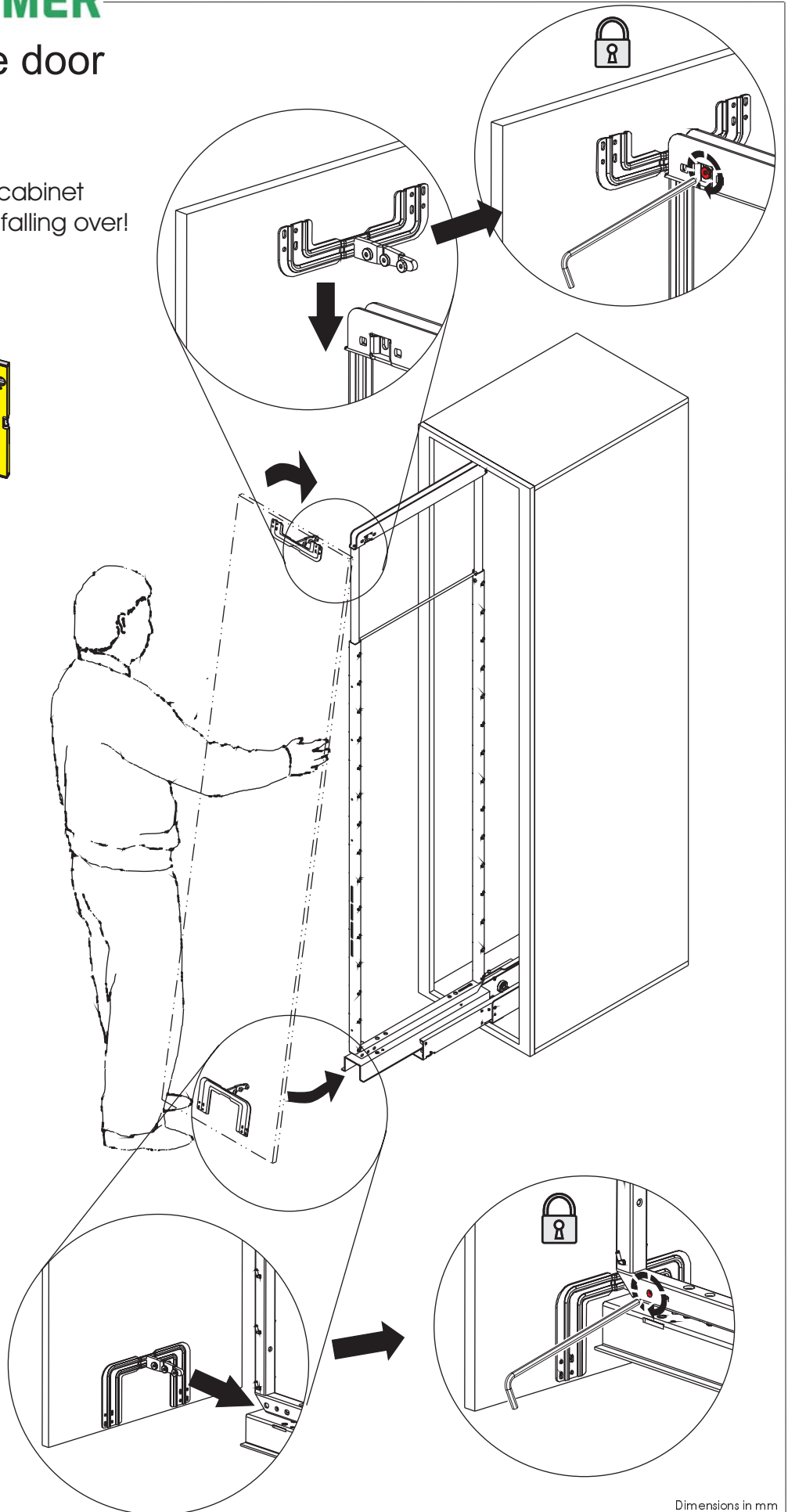
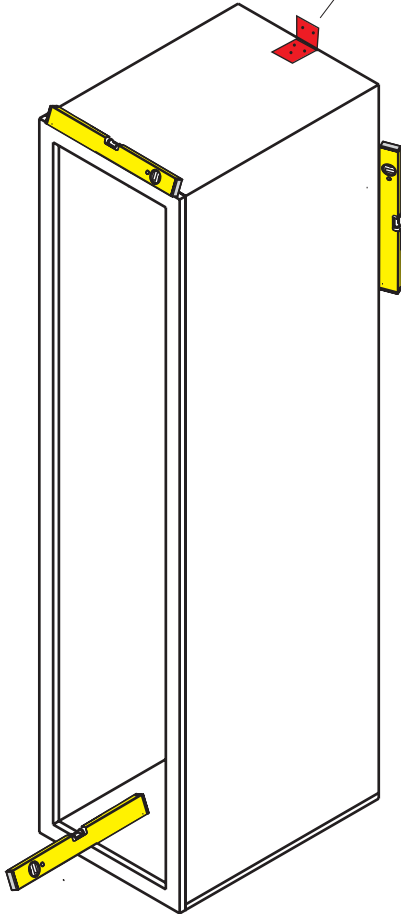


Dimensions in mm
 Inches are approximate

6 Mounting the door

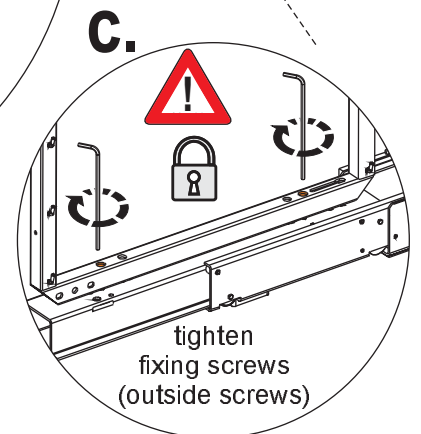
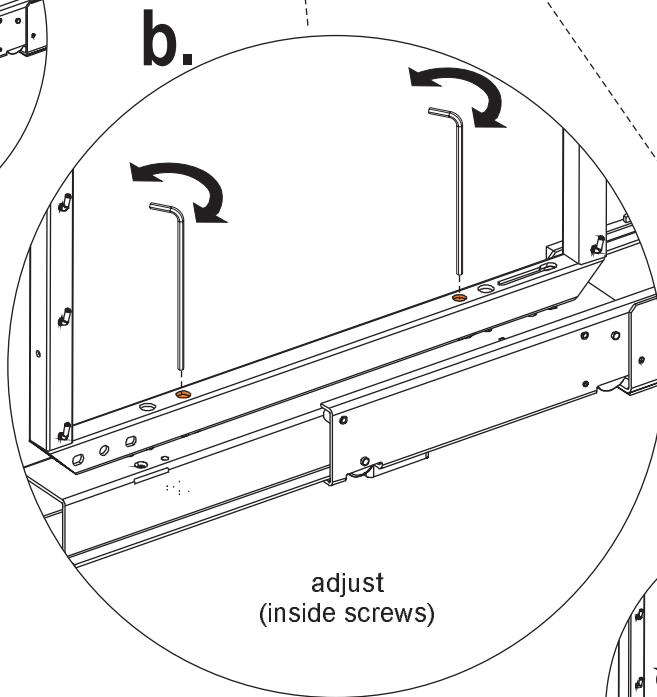
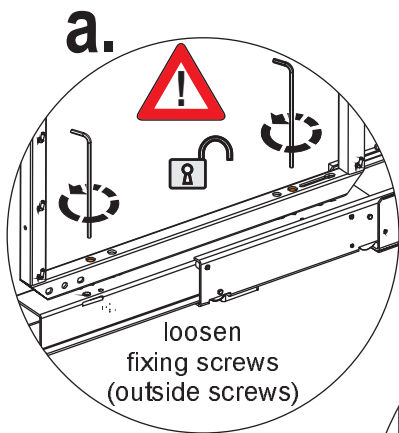
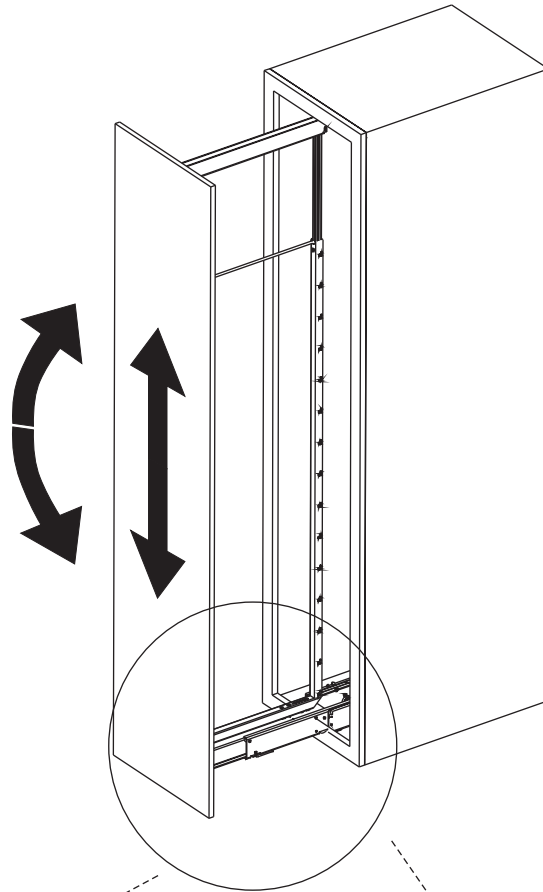


Protect cabinet
against falling over!

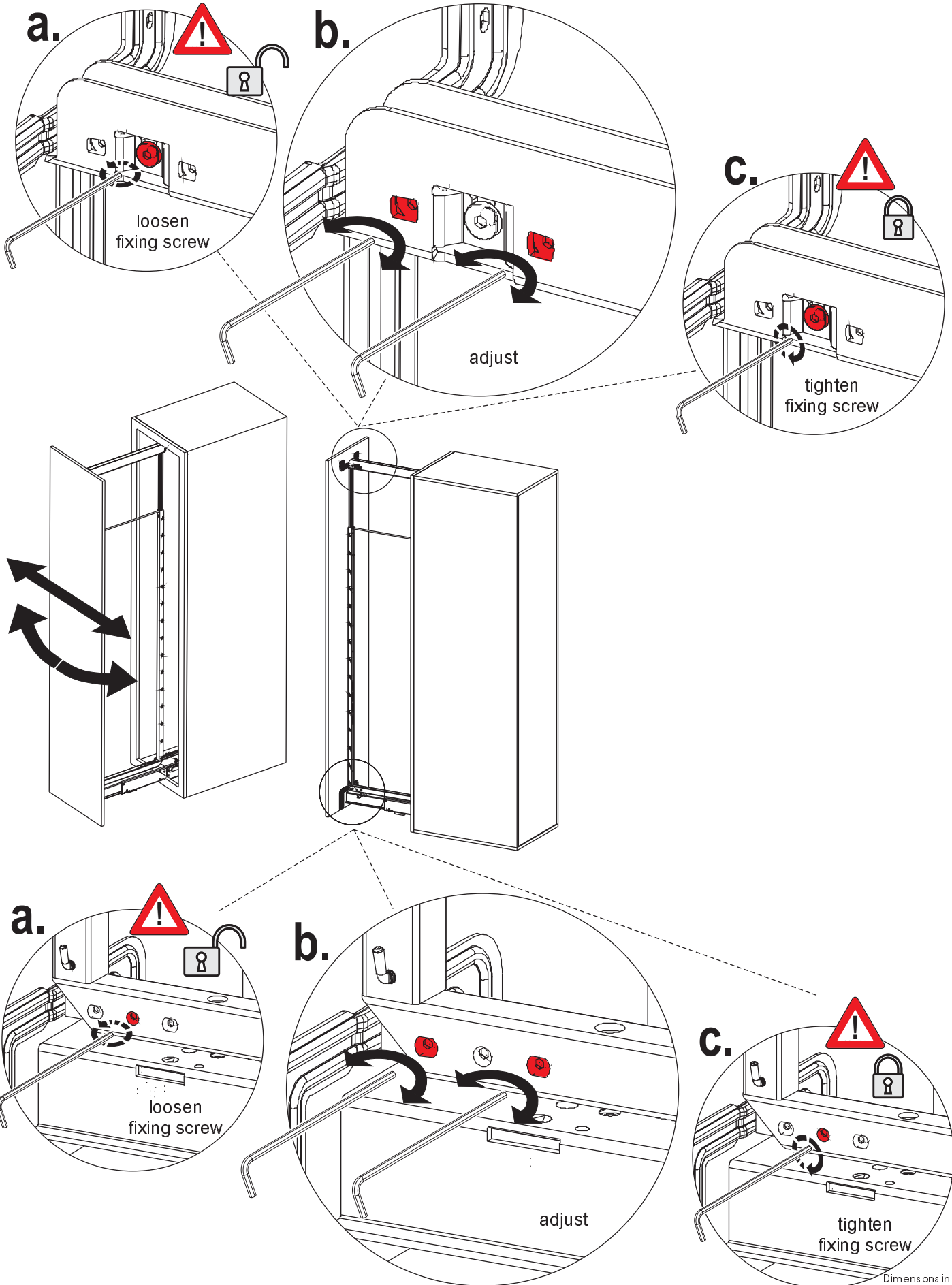


Dimensions in mm
Inches are approximate

7 Adjusting

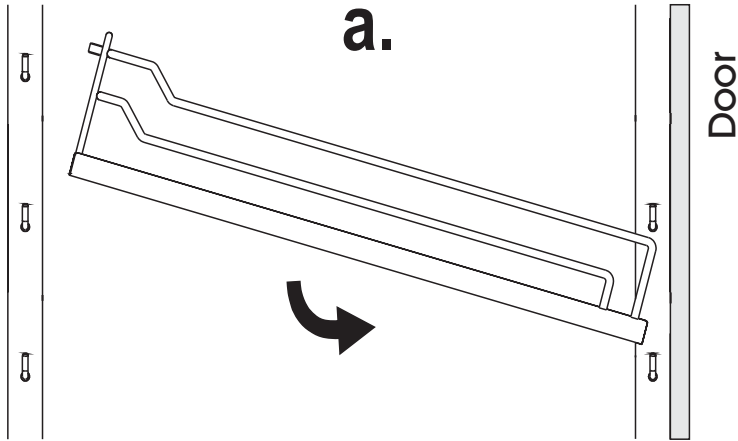


Dimensions in mm
Inches are approximate



Dimensions in mm
Inches are approximate

8 Shelves - assembling



Install shelves resting front edge first, then engage on back hooks.



Don't push on side rails to install !

