

1.5W

Pockit[®] PLUS



Pockit PLUS with Mounting Ring



50% more light than our popular 1W Series!



The Pockit PLUS delivers performance plus at a competitive price. Its slim body with a 2 inch light face throws a wide, 90-degree angle of bright LED light. The dimmable Pockit PLUS comes in five finishes: white, black, nickel, and oil rubbed bronze.

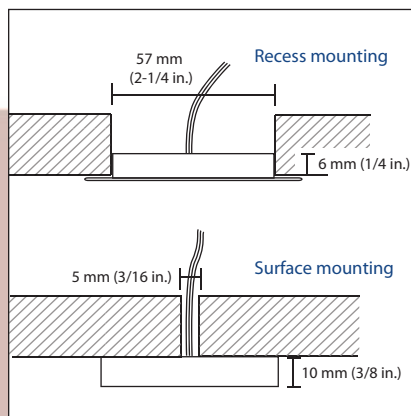
Pockit PLUS features very clean and simple lines, and is designed for quick and easy recess or surface mounting. The slim body requires only 1/4 inch depth for recess mounting and 3/8 inch height for surface mounting (*with Mounting Ring provided*). The extra PLUS of this small accent light is its leading-edge bulb technology that provides powerful, bright light without high energy consumption and heat.

Pockit PLUS comes with an attached 2 m (79 in.) Starter Cord. Up to 40 lights can be powered with one Tresco 60W Power Supply.

Power Supply: Pockit PLUS requires an 18W or 60W 12VDC Tresco® Power Supply (L-DC-ELT18-CON or L-DC-ELT60-CON) that comes with one 6-Snap Mounting Block.

Typical Applications:

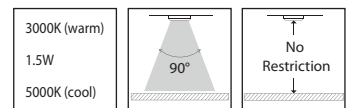
- Interior cabinets/shelving
- Under cabinets and soffits
- Task lighting/flood lighting
- Displays



Power Specifications:

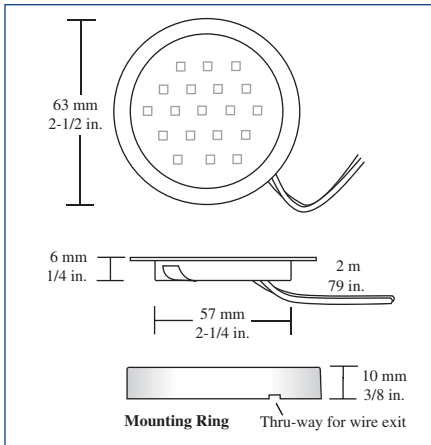
- 12VDC, 1.5W
- Up to **12** Lights per 18W Power Supply. †
- Up to **40** Lights per 60W Power Supply. †

† Requires additional 6-Snap Mounting Blocks, when more than 6 lights are linked to 1 Power Supply.





Required Items



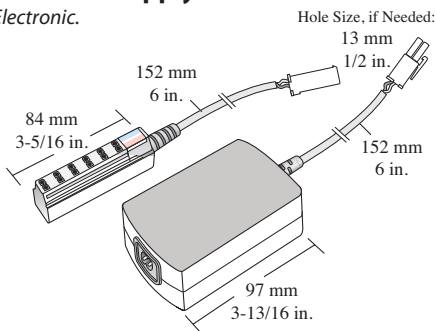
Pockit® PLUS LED Series

Part #	Description	Suggested List
L-POC-1LEDSFR-CBL-1	1.5W 5000K Black LED Metal Pockit Light	\$67.00
L-POC-1LEDSFR-CNI-1	1.5W 5000K Nickel LED Metal Pockit Light	\$67.00
L-POC-1LEDSFR-CORB-1	1.5W 5000K Oil Rubbed Bronze Pockit Light	\$67.00
L-POC-1LEDSFR-CWH-1	1.5W 5000K White LED Metal Pockit Light	\$67.00
L-POC-1LEDSFR-WBL-1	1.5W 3000K Black LED Metal Pockit Light	\$67.00
L-POC-1LEDSFR-WNI-1	1.5W 3000K Nickel LED Metal Pockit Light	\$67.00
L-POC-1LEDSFR-WORB-1	1.5W 3000K Oil Rubbed Bronze Pockit Light	\$67.00
L-POC-1LEDSFR-WWH-1	1.5W 3000K White LED Metal Pockit Light	\$67.00

25,000 Useful Life Hours
Starter Cord 2 m (79 in.), and AMP® Connector are included with each Light.

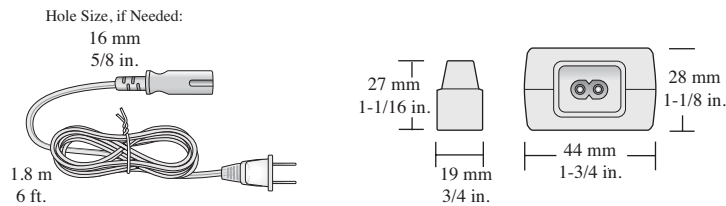
DC Power Supply - 18W

Electronic.



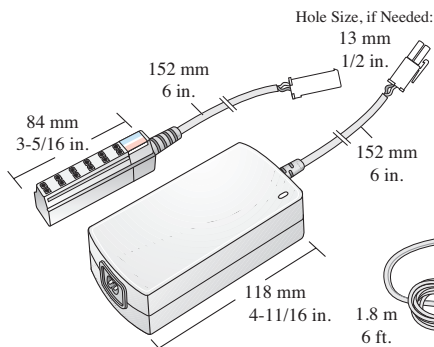
Part #	Description	Suggested List
L-DC-ELT18-CON-1	18W 12VDC Power Supply w/6 Snap Mounting Block	\$61.20

Dimmable on trailing edge (12V side).
Mounting Block and Power Cord are included with each Power Supply.



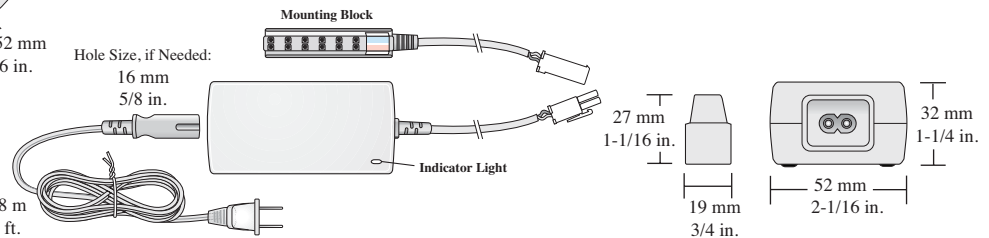
DC Power Supply - 60W

Electronic.



Part #	Description	Suggested List
L-DC-ELT60-CON-1	60W 12VDC Power Supply w/6 Snap Mounting Block	\$73.80

Dimmable on trailing edge (12V side).
Mounting Block and Power Cord are included with each Power Supply.



All product dimensions and specifications are subject to change without prior notice.

Pockit® PLUS LED Lights 1.5W

Optional Items

Touch On/Off Switch

Part #	Description	Suggested List
L-TS2-72-1	Touch On/Off w/Cord And Touch Pad. Black.	\$48.45

On/Off Switch touch pad attaches to surface with adhesive backing. Power Supply plugs into On/Off Switch.

Round Switch - 12V

Part #	Description	Suggested List
L-RDSW-1M-BL-1	Black Rocker Switch w/1m (39") Lead, 12VAC/DC	\$16.40
L-RDSW-1M-WH-1	White Rocker Switch w/1m (39") Lead, 12VAC/DC	\$16.40
L-RDSW-2M-BL-1	Black Rocker Switch w/2m (79") Lead, 12VAC/DC	\$18.40
L-RDSW-2M-WH-1	White Rocker Switch w/2m (79") Lead, 12VAC/DC	\$18.40

19mm (3/4") Hole Required

Roll Switch - 120V

Part #	Description	Suggested List
L-WHITE ROLL SWITCH-1	120V White Roll Switch	\$2.45
L-BLACK ROLL SWITCH-1	120V Black Roll Switch	\$2.45

Mounting Block

Part #	Description	Suggested List
L-TRANS-MNT-BL-1	Extra 6-Snap Mounting Block	\$10.90

For TreSCO DC Power Supplies only, 60W max. (1) Mounting Block is included with each 18W/60W Power Supply.

Remote Control LED Dimmer - 12V

w/ 2 Remote Controls

Part #	Description	Suggested List
L-LED-DIMRMT-12V8A-1	LED Dedicated Remote Control Dimmer, 12VDC 96W	\$80.05
L-LED-DIMRMT-12V8A-U-1	LED Universal Remote Control Dimmer, 12VDC 96W	\$80.05

Both models of the Remote Control LED Dimmer provide on/off power and dim lights from 1%–100%. The standard Remote Control independently controls one specific Dimmer in a room with other Dimmers. The Universal Remote Control (U) controls multiple Dimmers in a room.

All product dimensions and specifications are subject to change without prior notice.

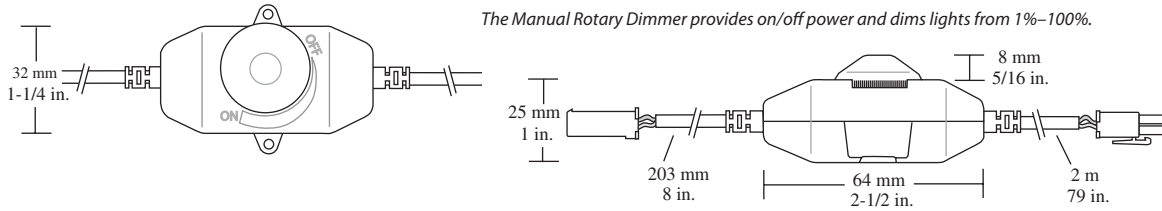


Optional Items

Manual Rotary Dimmer

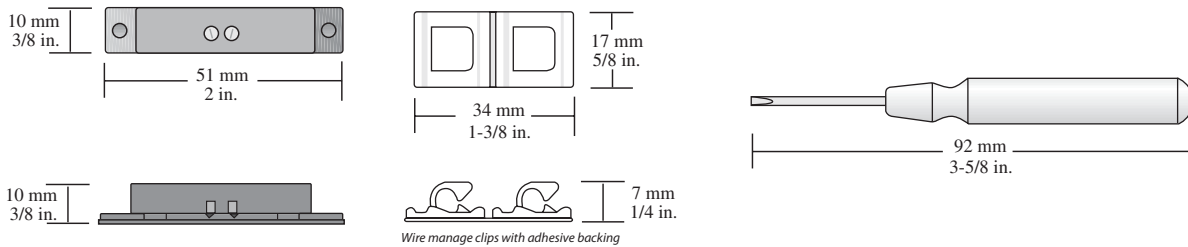
Part #	Description	Suggested List
L-LED-DIMCON-BL-1	LED Black Inline Rotary Dimmer, 12VDC 48W	\$50.05
L-LED-DIMCON-WH-1	LED White Inline Rotary Dimmer, 12VDC 48W	\$50.05

The Manual Rotary Dimmer provides on/off power and dims lights from 1%–100%.



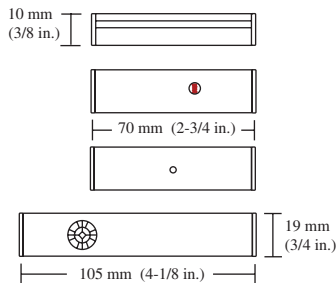
Magnet Switch Kit - 12V

Part #	Description	Suggested List
L-AUSW-MAG-BR-1	Brown Automatic Magnet Door Switch, 20W Max	\$27.55
L-AUSW-MAG-WH-1	White Automatic Magnet Door Switch, 20W Max	\$27.55



Control Modules

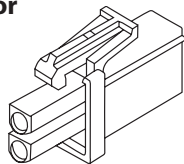
Part #	Description	Suggested List
L-LED-SMPMOT-1	27W SimplLED Inline Motion Sensor	\$70.75
L-LED-SMPPHOTO-1	27W SimplLED Inline Photo Sensor	\$45.40
L-LED-SMPTD4-1	27W SimplLED Inline Touch Dimmer	\$55.10
L-LED-SMPADP-5-1	5cm 12VDC SimplLED Adaptor	\$3.65
L-LED-SMPADP-15-1	15cm 12VDC SimplLED Adaptor	\$3.95
L-LED-SMPADP-25-1	25cm 12VDC SimplLED Adaptor	\$4.45
L-LED-SMPADP-60-1	60cm 12VDC SimplLED Adaptor	\$6.15
L-LED-SMPADP-120-1	120cm 12VDC SimplLED Adaptor	\$7.85
L-LED-SMPADP-180-1	180cm 12VDC SimplLED Adaptor	\$9.35



AMP® Connector

Part #	Description	Suggested List
L-MALE AMP	AMP® Connector for Light Fixture	\$10.15

AMP® Connector is included with each Light Fixture.



Extension Cord

Part #	Description	Suggested List
L-LED-LINKD-15-1	15cm (6") 12VDC Starter/Link/Extension Cord	\$4.05
L-LED-LINKD-25-1	25cm (10") 12VDC Starter/Link/Extension Cord	\$5.95
L-LED-LINKD-60-1	60cm (24") 12VDC Starter/Link/Extension Cord	\$6.65
L-LED-LINKD-120-1	120cm (48") 12VDC Starter/Link/Extension Cord	\$8.25
L-LED-LINKD-180-1	180cm (72") 12VDC Starter/Link/Extension Cord	\$10.00

13 mm (1/2 in.) Hole Required

