

3W SPOT

Pockit® SPOT



Performs like a spotlight
to keep your items center stage!

Pocket® SPOT

The 3W Pocket® SPOT LED Light's high output performs like a spotlight to keep countertops, kiosks and displays center stage. The fixture features a narrow 60-degree light spread, two large springs for recess mounting and the ability to swivel 12 degrees in either direction.

The Pocket SPOT's exceptionally low profile boasts a recess depth of only 29 mm (1-1/8 in.), making it ideal for tight applications (see *Illustration*). For recessing, it requires a standard hole size of 54 mm (2-1/8 in.).

A Mini Converter protects the LED diode from premature failure. Each light comes with a 2 m (79 in.) Starter Cord attached with a loose AMP® connector for easier wire routing. The Pocket SPOT LED is not dimmable.

Power Supply: The Pocket SPOT requires an 18W or 60W 12VDC Tresco® Power Supply (L-DC-ELT18-CON or L-DC-ELT60-CON) that comes with one 6-Snap Mounting Block.

Typical Applications:

- Cabinets and soffits
- Kiosks and displays
- Flyovers

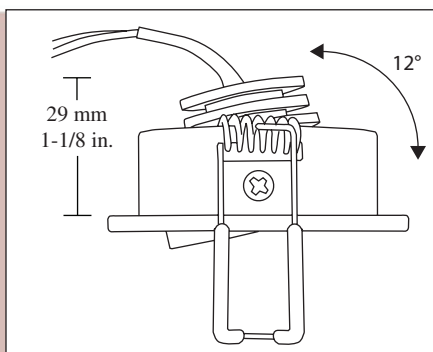
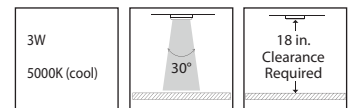
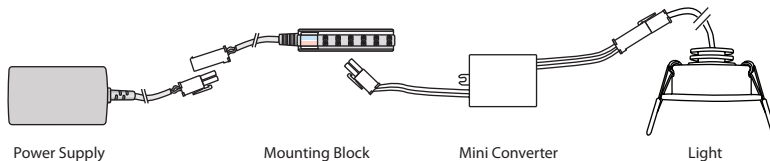
Power Specifications:

- 12VDC, 3W
- Up to 6 Lights per 18W Power Supply.
- Up to 20 Lights per 60W Power Supply. †

† Requires additional 6-Snap Mounting Blocks, when more than 6 lights are linked to 1 Power Supply.

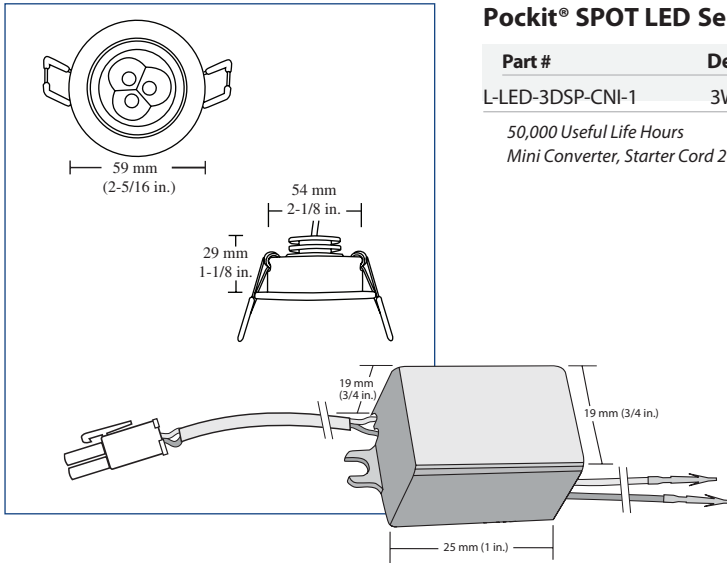


Satin Nickel (NI)



Tilts 12° in either direction

Required Items



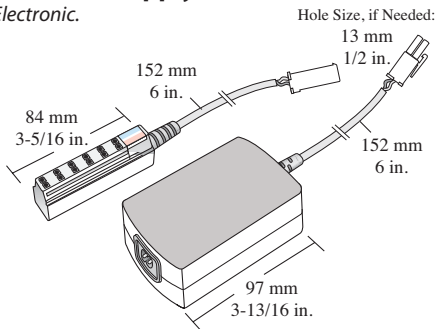
Pockit® SPOT LED Series

Part #	Description	Suggested List
L-LED-3DSP-CNI-1	3W 5000K Satin Nickel Recess Pockit Swivel Spot	\$89.45

50,000 Useful Life Hours
Mini Converter, Starter Cord 2 m (79 in.), and AMP® Connector are included with each Light.

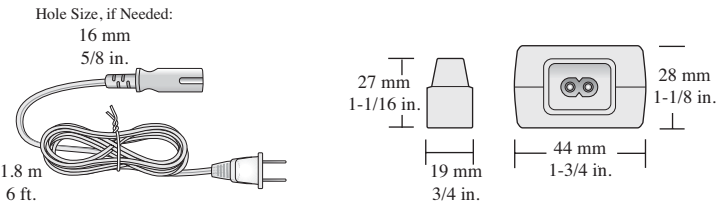
DC Power Supply - 18W

Electronic.



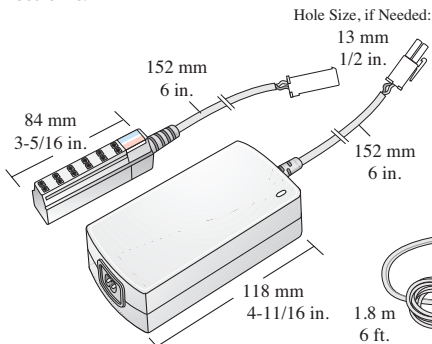
Part #	Description	Suggested List
L-DC-ELT18-CON-1	18W 12VDC Power Supply w/6 Snap Mounting Block	\$61.20

Dimmable on trailing edge (12V side).
Mounting Block and Power Cord are included with each Power Supply.



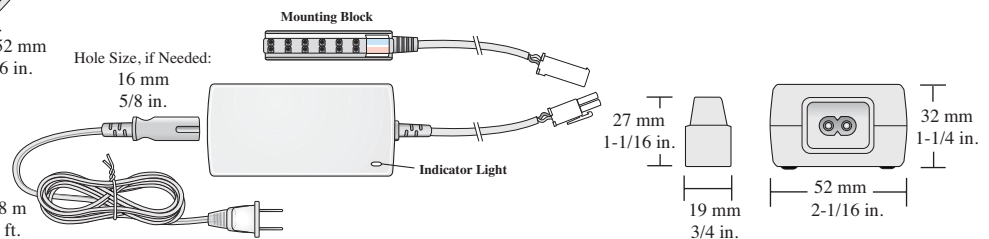
DC Power Supply - 60W

Electronic.



Part #	Description	Suggested List
L-DC-ELT60-CON-1	60W 12VDC Power Supply w/6 Snap Mounting Block	\$73.80

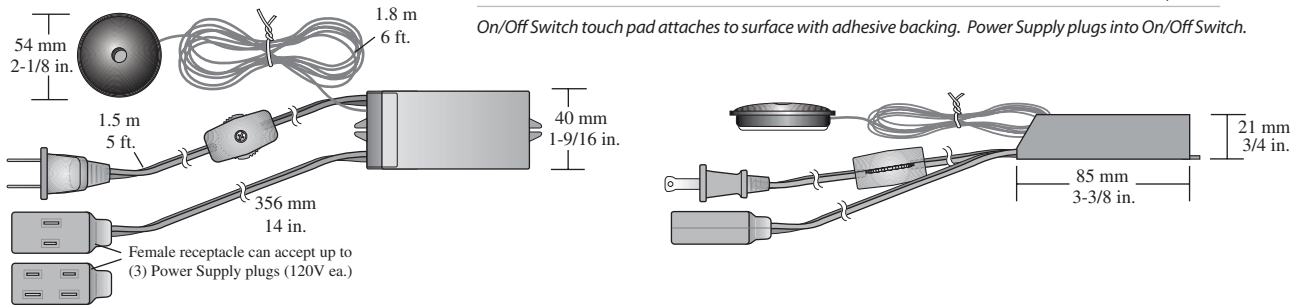
Dimmable on trailing edge (12V side).
Mounting Block and Power Cord are included with each Power Supply.



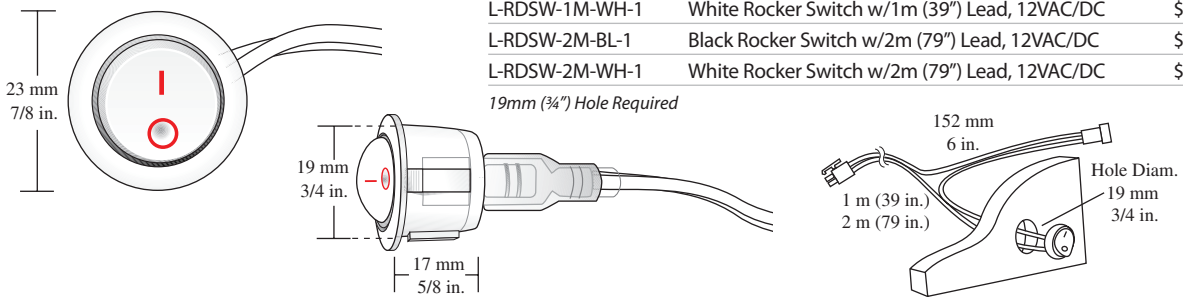
All product dimensions and specifications are subject to change without prior notice.

Optional Items

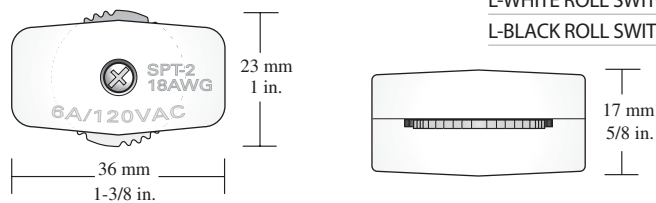
Touch On/Off Switch



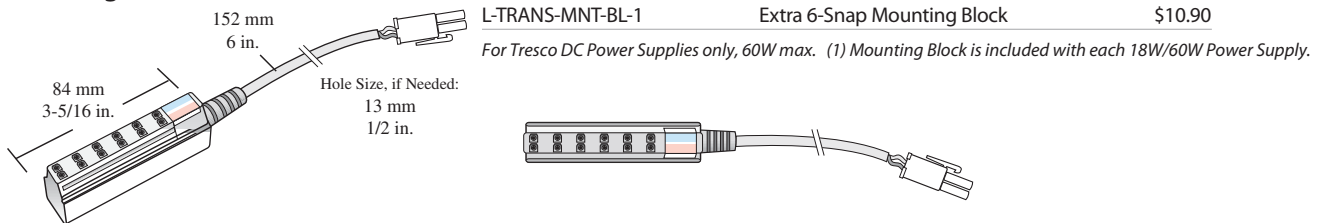
Round Switch - 12V



Roll Switch - 120V



Mounting Block

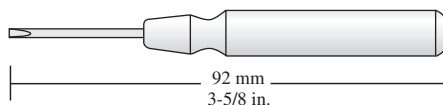
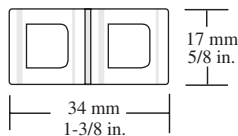
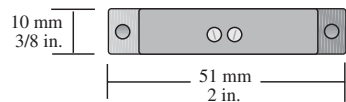


All product dimensions and specifications are subject to change without prior notice.



Optional Items

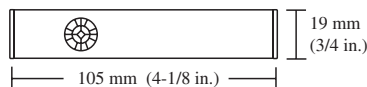
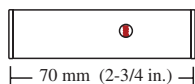
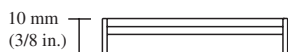
Magnet Switch Kit - 12V



Wire manage clips with adhesive backing

Part #	Description	Suggested List
L-AUSW-MAG-BR-1	Brown Automatic Magnet Door Switch, 20W Max	\$27.55
L-AUSW-MAG-WH-1	White Automatic Magnet Door Switch, 20W Max	\$27.55

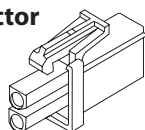
Control Modules



Part #	Description	Suggested List
L-LED-SMPMOT-1	27W SimpLED Inline Motion Sensor	\$70.75
L-LED-SMPPHOTO-1	27W SimpLED Inline Photo Sensor	\$45.40
L-LED-SMPADP-5-1	5cm 12VDC SimpLED Adaptor	\$3.65
L-LED-SMPADP-15-1	15cm 12VDC SimpLED Adaptor	\$3.95
L-LED-SMPADP-25-1	25cm 12VDC SimpLED Adaptor	\$4.45
L-LED-SMPADP-60-1	60cm 12VDC SimpLED Adaptor	\$6.15
L-LED-SMPADP-120-1	120cm 12VDC SimpLED Adaptor	\$7.85
L-LED-SMPADP-180-1	180cm 12VDC SimpLED Adaptor	\$9.35

Max Load 27W

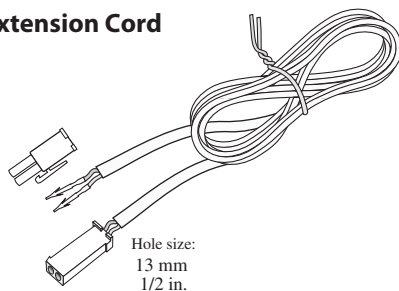
AMP® Connector



Part #	Description	Suggested List
L-MALE AMP	AMP® Connector for Light Fixture	\$10.15

AMP® Connector is included with each Light Fixture.

Extension Cord



Part #	Description	Suggested List
L-LED-LINKD-15-1	15cm (6") 12VDC Starter/Link/Extension Cord	\$4.05
L-LED-LINKD-25-1	25cm (10") 12VDC Starter/Link/Extension Cord	\$5.95
L-LED-LINKD-60-1	60cm (24") 12VDC Starter/Link/Extension Cord	\$6.65
L-LED-LINKD-120-1	120cm (48") 12VDC Starter/Link/Extension Cord	\$8.25
L-LED-LINKD-180-1	180cm (72") 12VDC Starter/Link/Extension Cord	\$10.00

13 mm (1/2 in.) Hole Required

All product dimensions and specifications are subject to change without prior notice.