

LOOX LED 2027

SURFACE MOUNTED DOWNLIGHT, ROUND



12 V SYSTEM



This flat surface mounted downlight can be used extensively. The edge is illuminated, without visible diodes, and the hardware is concealed beneath a removable center cover.

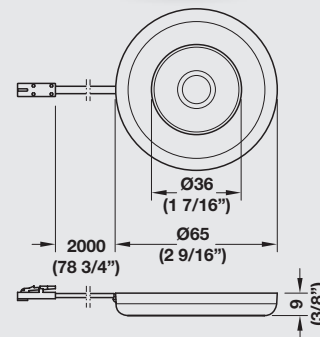


- > Dimmable
- > Installation: For screw mounting



> Driver see page 42

Item No.	833.72.050	833.72.051	833.72.052
Light Color (K)	3000 (warm white)	4000 (cool white)	5000 (cool white)
Diameter	65 (2 9/16")		
Height	9 (3/8")		
Wattage (W)	2.6		
Number of LEDs	27		
Light output (lm)	190	208	218
Efficacy (lm/W)	73	80	84
Color rendering index (CRI)	85		
Energy efficiency category	A+		
Weighted energy consumption (kWh/1.000 h)	2.86		
Material/Finish	Aluminum, silver colored anodized, Plastic, milk		
Supplied with	2 m (78 3/4") lead, mounting material		



3000 K	4000 K	5000 K	117°
867 lx	884 lx	918 lx	250 mm (9 13/16")
216 lx	221 lx	229 lx	500 mm (19 11/16")
96 lx	98 lx	102 lx	750 mm (29 1/2")
54 lx	55 lx	57 lx	1000 mm (39 3/8")

Note Loox Lights and Drivers are "Suitable for use within Closet Storage Spaces"