

Loox

HÄFELE

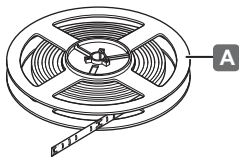


LED 2030

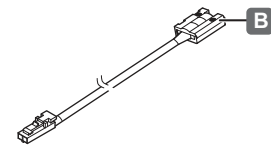
833.73.480 833.73.482
833.73.481 833.73.520

12 V System	K	W	T _A	mm	mm	
833.73.480	2700 K	4.8 W/m	-20 °C – +35 °C -4 °F – +95 °F	5000 x 8 x 2.15	5010 x 18 x 12.15	Loox 12 V
833.73.481	3000 K					
833.73.482	4000 K					
833.73.520	5000 K					

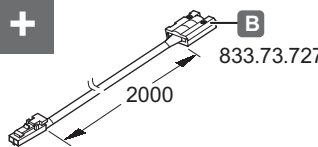
732.28.390



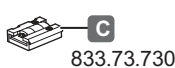
A




B



C
833.73.727




D
833.73.730





E
833.73.736

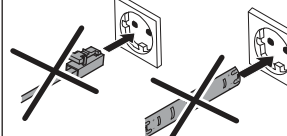
x	
50	833.73.715
500	833.73.716
1000	833.73.717
2000	833.73.718

HDE KEZ




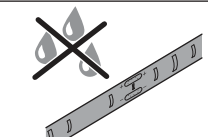


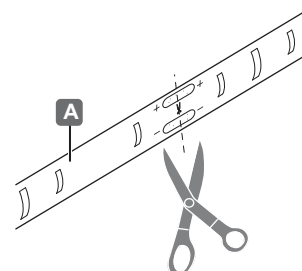




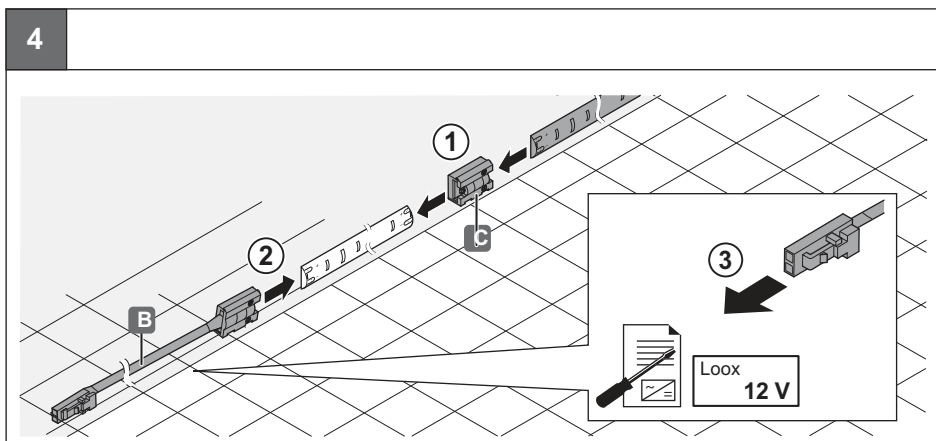
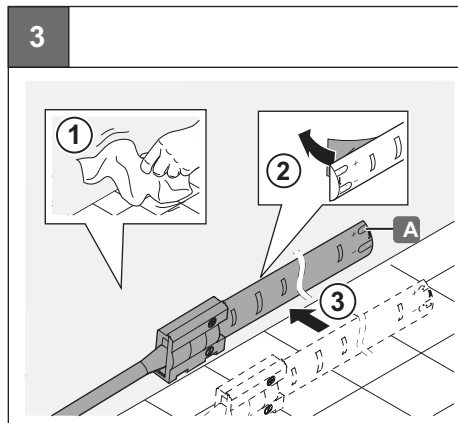
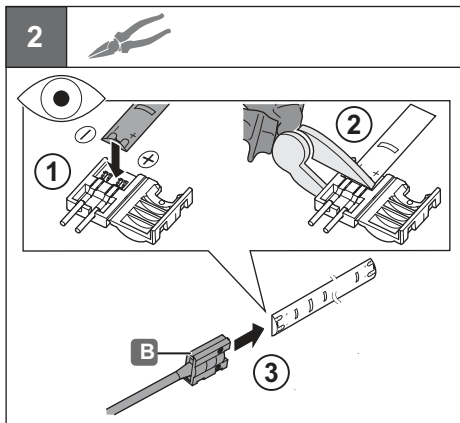
100 - 240 V~



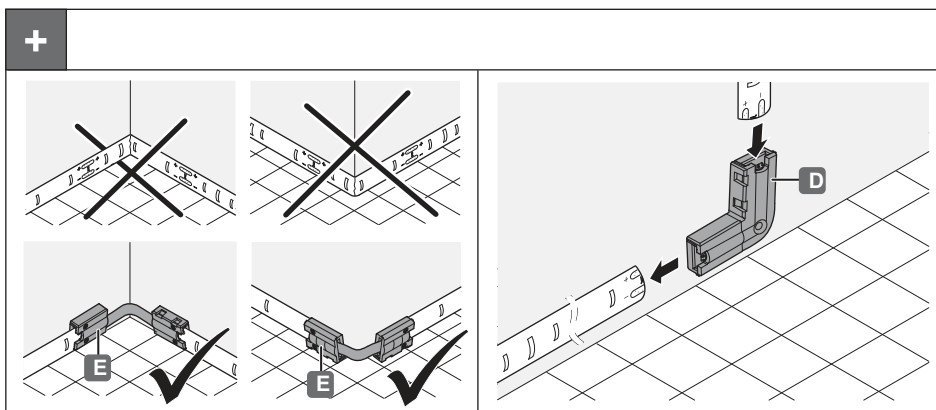




A



732.28.390



HIDE KE2