

LOOX LED 2039

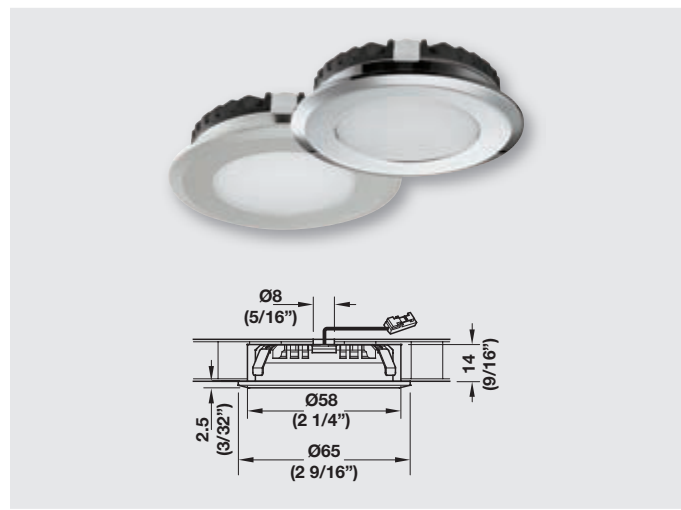
RECESS MOUNTED LIGHT, ROUND, IP65



12 V SYSTEM



The LED 2039 generates uniform extensive light. The high degree of protection (IP65) guards the recess mounted light from water jets. The 4 m (157 1/2") lead ensures that the driver (IP20) is installed in a dry location.

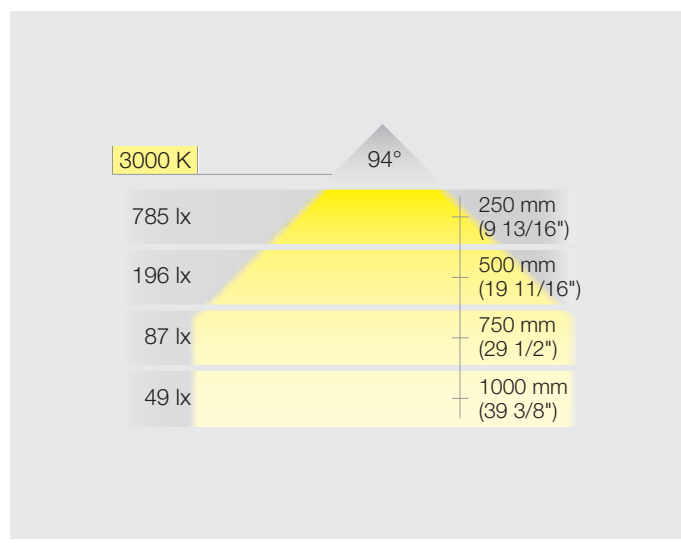


- > Dimmable
- > Drill hole Ø: 58 mm (2 1/4")
- > Installation: For mounting in drilled hole, with clip fastener



- > Driver see page 42

Item No.	833.72.091	833.72.092
Light Color (K)	3000 (warm white)	
Diameter	65 (2 9/16")	
Height	16.4 (5/8")	
Wattage (W)	2.5	
Number of LEDs	18	
Light output (lm)	125	
Efficacy (lm/W)	50	
Color rendering index (CRI)	85	
Energy efficiency category	A	
Weighted energy consumption (kWh/1.000 h)	2.75	
Material	Zinc alloy	
Finish	nickel-plated matt	chrome-plated
Supplied with	4 m (157 1/2") lead	



Note Loox Lights and Drivers are "Suitable for use within Closet Storage Spaces"