



LED 2040

833.72.140	833.72.144
833.72.141	833.72.145
833.72.142	833.72.146
833.72.143	

	K	W	T_A			
833.72.140	3000 K	1.5 W	-20 °C – +35 °C -4 °F – +95 °F	Ø 38.5 x 15	Ø 48.5 x 25	
833.72.141	4000 K					
833.72.142	5000 K					

732.28.383

A

+

B

x	
500	833.72.128
1000	833.72.129
2000	833.72.123

+

C

833.72.145

D

833.72.146

G

2x **E**

F

833.72.143

G

833.72.144

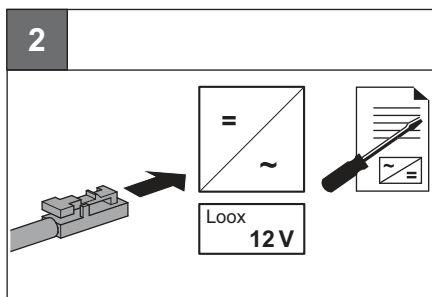
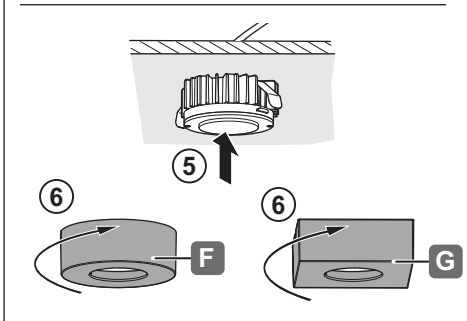
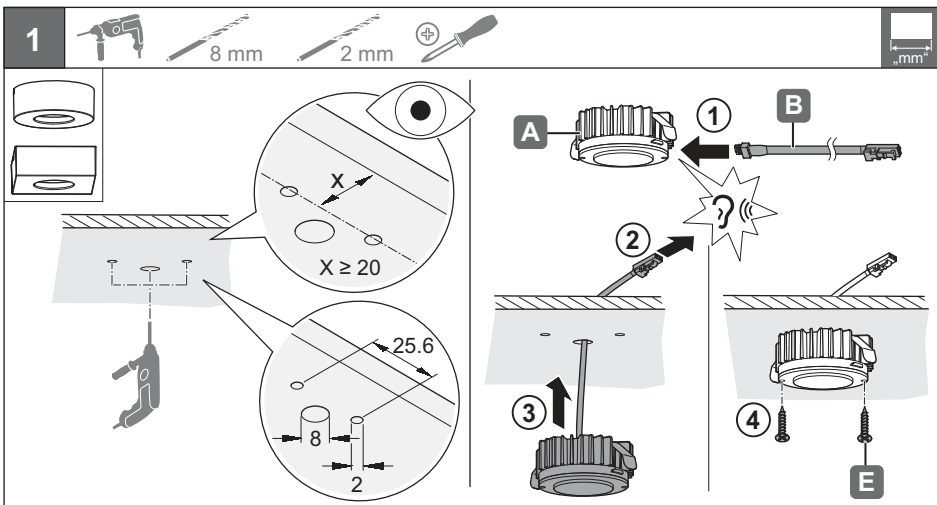
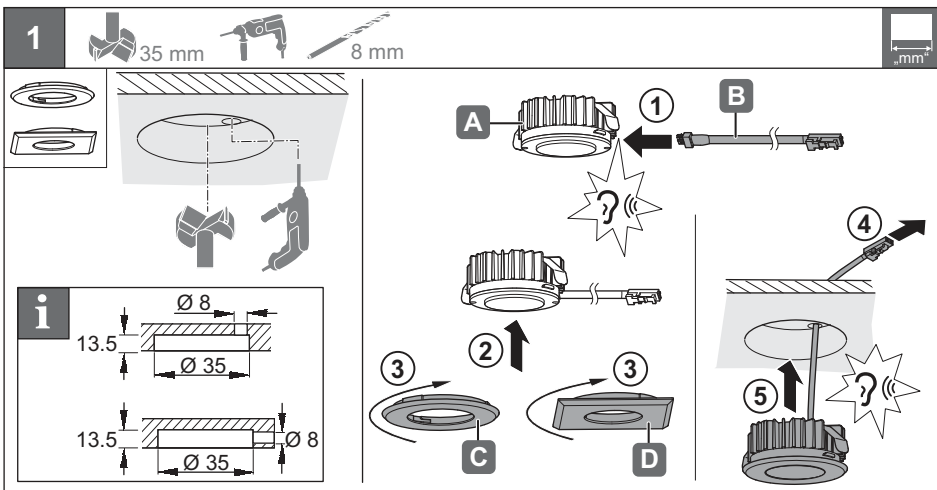
HDE 07/2015

i

100 - 240 V~

C **D**

F **G**



732.26.383

HDE 07/2015