



233/255 Pilaster Standards and Supports

HEAVY-DUTY

- BHMA grade 1 compliant
- Adjustable in 1/2" increments



Applications

For use on walls, in closets, between studs, within window frames and in bookcases, entertainment centers, kitchen cabinets and medicine cabinets. Color-coordinated shelf clips add a finished look to custom projects.

Load Rating: Varies per size**

Mounting: Wall

Material: Steel or Aluminum

Finishes:

Almond (ALM), Brass-look (BR), Brown (BRN), White (WH), Zinc (ZC), Economy Zinc (E): Attractive, long-lasting, corrosion resistant finishes

Features:

Clips are adjustable on 1/2" centers and provide stable support for a variety of shelf options, including wood, plywood, particleboard, glass, wire or metal. Pilaster nail holes are pre-drilled and mounting nails are conveniently included with clips. A variety of shelf support accessories are available.

KV's built-in shelving hardware creates a custom look, while also providing sturdy, discreet support and outstanding versatility. Available in surface- or flush-mount styles.

233 Series Pilaster Standards

- For surface mounted applications
- Dimensions: 13/16" wide x 3/16" deep x selected length
- 23-gauge high strength steel
- Vertically adjustable in 1/2" increments
- Stamped numbers make installation easier
- Pre-drilled screw/nail holes
- Pre-punched staple holes
- Made in the USA
- Available from open stock

255 Series Pilaster Standards

- For surface or flush mounted applications
- Dimensions: 5/8" wide x 3/16" deep x selected length
- Aluminum standards: 17-gauge aluminum
- Steel standards: 23-gauge high strength steel
- Vertically adjustable in 1/2" increments
- Stamped numbers make installation easier
- Pre-drilled screw/nail holes
- Pre-punched staple holes
- Made in the USA
- Available from open stock

*Contact KV Customer Service for more information.

233 Series Pilaster Standards (surface mount)



Brass-look (BR)

Zinc (ZC)

Steel (23-gauge)

Standard Pack (12"-60" packed 100 pieces; 72"-96" packed 50 pieces. Not packed with nails.)

Size	Brass-look (BR)	Zinc (ZC)
12"		233 ZC 12
18"		233 ZC 18
24"		233 ZC 24
30"		233 ZC 30
36"	233 BR 36	233 ZC 36
42"		233 ZC 42
48"	233 BR 48	233 ZC 48
60"	233 BR 60	233 ZC 60
72"	233 BR 72	233 ZC 72
84"		233 ZC 84
96"	233 BR 96	233 ZC 96

Poly Pack (P) (20/pack. UPC labels attached.)

Size	Zinc (ZC)
48"	PK233 ZC 48
72"	PK233 ZC 72

Nails & Supports



255-81N

Nails (For use with 233 and 255 standards.)

Standard Pack (Approx. 650 nails/bag. 5 bags/carton)

Finish:	Almond (ALM)	Brass-look (BR)	Bronzed (STB)*	White (WH)	Zinc (ZC)
Part #:	255-81N ALM	255-81N BR	255-81N STB	255-81N WH	255-81N ZC
Use with:	255 ALM	255 BR, 233 BR, 255AL BR	255 BRN, 255 WAL	255 WH	255 ZC, 233 ZC, 255 E, 255AL

*For use with Brown (BRN) or Walnut (WAL) standards.

256 Steel Shelving Supports (For use with 255 standards.)

Almond (ALM)	Brass-look (BR)	Walnut (WAL)*	White (WH)	Zinc (ZC)
Standard Pack (100 pieces/pack)				
256S ALM	256 BR	256 WAL	256S WH	256 ZC, 256R ZC**
Bulk Pack (B) (1000 pieces/pack)				
	256B BR	256B WAL		256B ZC
Barrel Pack (BBL) (9000 pieces/fiber barrel)				
	256BBL BR	256BBL WAL		256BBL ZC
Poly Pack (P) (12 supports + 28 nails/bag. 10 bags/carton.)				
256P ALM	256P BR	256P WAL	256S P WH	256P ZC
Warehouse Pack (WP) (2 supports + 28 nails/bag. 50 bags/carton.)				
256S WP ALM	256WP BR	256WP WAL	256WP WH	256WP ZC

*For use with 255 BRN standards. **256R includes a rubber cushion.

256 Aluminum Shelving Supports

(For use with 255 standards.)

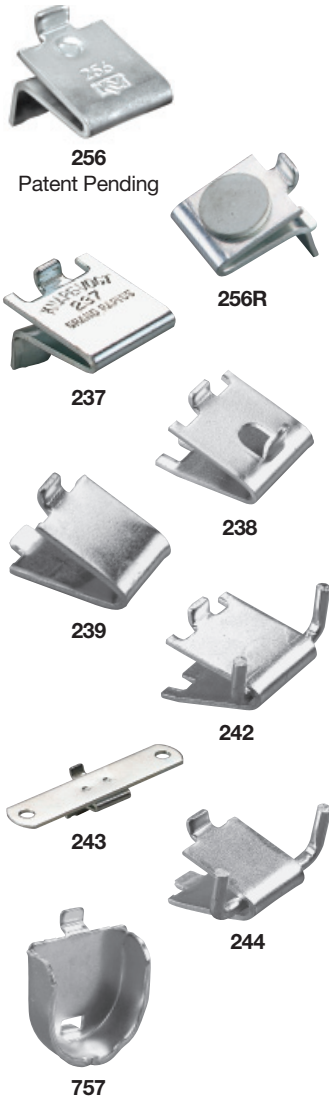
Natural Aluminum (AL NAT)
Standard Pack (100 pieces/pack)
256 AL NAT

Miscellaneous Supports

	Anochrome (ANO)	Zinc (ZC)
Description	Standard Pack (100 pieces/carton)	
Shelf Support (Use with 233 standards only.)		237 ZC
Shelf Support with Locator Tab (Use with 233 standards only.)	238 ANO	
Shelf Support		239 ZC
Shelf Support for Wire Shelves (Use with 233 standards only.)	242 ANO	
3" Shelf Bracket (Non-handed.)		243 ZC
Shelf Support for Wire Shelves	244 ANO	
Flange for 1-1/16" OD Closet Rod	757 ANO	

229 Support Bracket

Standard Pack (25/box)	
Size	Anochrome (ANO)
4"	229 ANO 4
6"	229 ANO 6
8"	229 ANO 8
10"	229 ANO 10



229

255 Series Pilaster Standards (surface or flush mount)

Steel (23-gauge)



Almond (ALM)
(steel shown)



Brass-look (BR)
(steel shown)

Standard Pack (12"-60" packed 100 pieces; 72"-96" packed 50 pieces. Not packed with nails.)						
Size	Almond (ALM)	Brass-look (BR)	Brown (BRN)	Economy Zinc (E)	White (WH)	Zinc (ZC)
12"	255 ALM 12				255 WH 12	255 ZC 12
18"	255 ALM 18	255 BR 18	255 BRN 18		255 WH 18	255 ZC 18
24"	255 ALM 24	255 BR 24	255 BRN 24	255 E 24	255 WH 24	255 ZC 24
30"	255 ALM 30	255 BR 30	255 BRN 30		255 WH 30	255 ZC 30
36"	255 ALM 36	255 BR 36	255 BRN 36	255 E 36	255 WH 36	255 ZC 36
42"						255 ZC 42
48"	255 ALM 48	255 BR 48	255 BRN 48	255 E 48	255 WH 48	255 ZC 48
60"	255 ALM 60	255 BR 60	255 BRN 60	255 E 60	255 WH 60	255 ZC 60
72"	255 ALM 72	255 BR 72	255 BRN 72	255 E 72	255 WH 72	255 ZC 72
84"	255 ALM 84	255 BR 84	255 BRN 84	255 E 84	255 WH 84	255 ZC 84
96"	255 ALM 96	255 BR 96	255 BRN 96	255 E 96	255 WH 96	255 ZC 96

Poly Pack (P) (20 pieces/pack. UPC labels.)				
Size	Brass-look (BR)	Brown (BRN)	White (WH)	Zinc (ZC)
24"	PK255 BR 24		PK255 WH 24	PK255 ZC 24
36"	PK255 BR 36	PK255 BRN 36	PK255 WH 36	PK255 ZC 36
48"	PK255 BR 48	PK255 BRN 48	PK255 WH 48	PK255 ZC 48
60"	PK255 BR 60	PK255 BRN 60	PK255 WH 60	PK255 ZC 60
72"	2PK55 BR 72	PK255 BRN 72	PK255 WH 72	PK255 ZC 72

Aluminum (17-gauge)



Brown (BN)
(steel shown)



Economy Zinc (E)
(steel shown)

Standard Pack (12"-60" packed 100 pieces; 72"-96" packed 50 pieces. Not packed with nails.)				
Size	Natural Aluminum (AL)	Brass-look (BR)	Brown (BRN)	Walnut (WAL)
12"	255AL 12			
18"	255AL 18	255AL BR 18		255AL WAL 18
24"	255AL 24	255AL BR 24	255AL BRN 24	255AL WAL 24
30"	255AL 30	255AL BR 30		255AL WAL 30
36"	255AL 36	255AL BR 36	255AL BRN 36	255AL WAL 36
48"	255AL 48	255AL BR 48	255AL BRN 48	255AL WAL 48
60"	255AL 60	255AL BR 60	255AL BRN 60	255AL WAL 60
72"	255AL 72	255AL BR 72	255AL BRN 72	255AL WAL 72
84"	255AL 84	255AL BR 84	255AL BRN 84	255AL WAL 84
96"	255AL 96	255AL BR 96	255AL BRN 96	255AL WAL 96

Poly Pack (P) (20 pieces/pack. UPC labels.)	
Size	Walnut (WAL)
36"	PK255AL WAL 36
48"	PK255AL WAL 48
60"	PK255AL WAL 60
72"	PK255AL WAL 72



Walnut (WAL)
(aluminum shown)



White (WH)
(steel shown)



Zinc (ZC)
(steel shown)

NOTE: Slight variations in color/finish may occur when using different product materials, such as steel and aluminum shown here.



**233
Pilaster Standard**



**255
Pilaster Standard**

1. PRODUCT NAME

233 and 255 Pilaster Standards.
For built-in shelving and bookcase applications.

2. MANUFACTURER

Knappe & Vogt Manufacturing Company
2700 Oak Industrial Dr. NE, Grand Rapids, MI USA 49505-6026
(616) 459-3311 | www.kv.com

3. PRODUCT DESCRIPTION

Basic Use: 233 and 255 Pilaster Standards are designed for built-in shelving on walls, in closets, between studs and within window frames and bookcase applications.

233 and 255 Pilaster Standards are available in steel or aluminum. They mount to most wall types and in wood bookcases and cabinets. They accommodate KV steel or aluminum supports, and are available in various styles/configurations. 233 and 255 Pilaster Standards are adjustable on 1/2" centers.

Composition and Materials:

233 Steel Standards: 23-gauge high strength steel.

255 Steel Standards: 23-gauge high strength steel.

255 Aluminum Standards: 17-gauge aluminum.

Sizes:

233 Steel Standards:

13/16" wide x 3/16" deep x selected length.

84", and 96". (Some lengths are not available in some finishes.)

255 Steel Standards: 5/8" wide x 3/16" deep x selected length.

84", and 96". (Some lengths are not available in some finishes.)

255 Aluminum Standards:

5/8" wide x 3/16" deep x selected length.

84", and 96". (Some lengths are not available in some finishes.)

84", and 96". (Some lengths are not available in some finishes.)

84", and 96". (Some lengths are not available in some finishes.)

Finishes:

233 Steel Standards: Brass-look (electro-plated cold rolled steel), and Zinc (zinc-plated cold rolled steel).

255 Steel Standards: Almond or White (epoxy powder-coated cold rolled steel); pre-coat Brown (epoxy powder-coated cold rolled steel); Brass-look (electro-plated cold rolled steel), and Economy Zinc or Zinc (zinc-plated cold rolled steel).

255 Aluminum Standards: Aluminum; Brass-look (electro-plated aluminum), and Brown or Walnut (epoxy powder-coated aluminum).

4. TECHNICAL DATA

Applicable Standards: The KV 255 Steel Standard, when used with specific KV steel shelf rests, has been tested and meets the ANSI/BHMA (A156.9-2003) cabinet hardware standard for

shelf rests and standards. However, representative testing in a fully configured application is the only way to assure proper performance, durability, and safety.

The aforementioned shelf support load limit is intended as a guide only and not as a warranty. Actual load bearing capabilities depend upon the type of cabinet/wall material and use of appropriate shelf standard mounting fasteners, installation technique, shelf standard spacing, shelf size and construction.

Environmental Considerations:

Environment: Excessive humidity, salts, or other chemical agents can corrode the finish and attack metal or plastic components.

Fastening: Inadequate or incorrect fasteners can result in the standard pulling loose and causing damage.

Alignment: Improper standard alignment can result in a shelving system that is ineffective and unsafe.

5. INSTALLATION

233 Pilaster Standards can be installed on the surface. The 233 Pilaster Standard can be mounted with nails, staples or screws.

255 Pilaster Standards can be installed on the surface, or made flush with the wall or cabinet by making a dado cut. The 255 Pilaster Standard can be mounted with nails, staples or screws.

Surface mounting: Mark the installation location. Position the standards so that numbers are right-side up. Nail the top hole of the standards into the desired position at equal heights. Check horizontal and vertical alignment with a level. Finish nailing.

For wallboard, plywood paneling, masonry and other non-wood surfaces, use a #3 flat head screw and appropriate hollow wall anchor to properly secure the standard. Note: Proper nails are supplied for 255 Standards; screws and anchors are not.

Flush mounting: Mark the installation location and width of each standard, and rout each dado cut to the desired depth. Position the standards so that numbers are right-side up. Nail the top hole of the standards into the desired position at equal heights. Check horizontal alignment with a level. Finish nailing.

6. AVAILABILITY AND COST

Availability: Knappe & Vogt™ (KV™) products are available from stocking distributors and through KV® Representatives worldwide.

Cost: Current pricing is available from area KV® Representatives. Please call for the nearest representative: (800) 253-1561.

7. WARRANTY

Limited Lifetime Warranty: Knappe & Vogt offers its standard Limited Lifetime Warranty to the initial purchaser of commercial products. This warranty covers defects in materials and workmanship which occur during normal use, and the remedy is limited to repair or replacement of defective products, at KV's option. Certain types of defects and damage are excluded from warranty coverage, costs and expenses are not covered, and additional restrictions apply. A copy of the Limited Lifetime Warranty, with all warranty details, limitations and disclaimers, is available on the Customer Care Connection location at www.kv.com or from KV Customer Service, 2700 Oak Industrial Drive, Grand Rapids, MI 49505, (800) 253-1561.

8. MAINTENANCE

233 and 255 Pilaster Standards require no maintenance. Inspect for proper fit periodically and adjust when necessary. Replace as required or recommended by application.

9. TECHNICAL SERVICES

Knappe & Vogt™ and area representatives can assist with any application. For further information, or for the name of the representative nearest you, please call Knappe & Vogt™ Customer Service: (800) 253-1561 or visit our website at: www.kv.com.

10. FILING SYSTEMS

Additional product information, data sheets, application sheets, and a full catalog are available for all installations upon request from Knappe & Vogt™.

BHMA *Knappe & Vogt shelving products follow the ANSI testing standards established by BHMA.*

Knappe & Vogt reserves the right to change product specifications at any time without notice and without incurring responsibility for existing units. This information conforms to editorial style prescribed by The Construction Specifications Institute.